

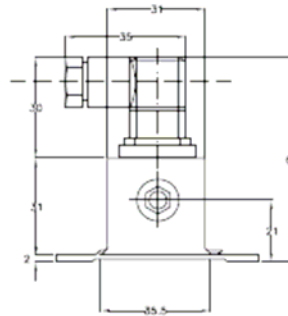
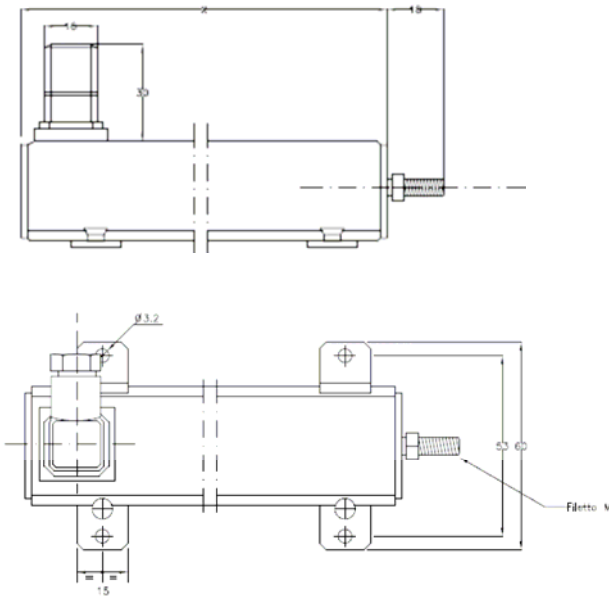


## FDPLS-V, FDPL2S-V, FDPL231-V Linear Potentiometers with Analogue Output

- 0÷10 Vdc voltage output proportional to the stem position
- Supply voltage 18÷30 Vdc
- Strokes: 50 to 950 mm
- Conductive plastic resistive element
- 20 million operations life
- Infinite resolution
- High linearity
- Moving speed up to 1 m/sec.
- Strong aluminium case
- Easy clamping by movable feet
- Electrical connections by orientable connector
- IP65 protection degree
- Available fittings (PLS-V series only): ball joint, out- of-alignment joint, feeler pin

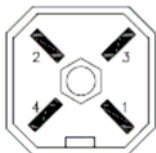


### ■ Dimensions series FDPLS-V



Stroke	Body Length
50 mm	190 mm
100 mm	240 mm
150 mm	290 mm
200 mm	340 mm
250 mm	390 mm
300 mm	440 mm
400 mm	540 mm
500 mm	640 mm
750 mm	890 mm
950 mm	1090 mm

### ■ Electrical Connections

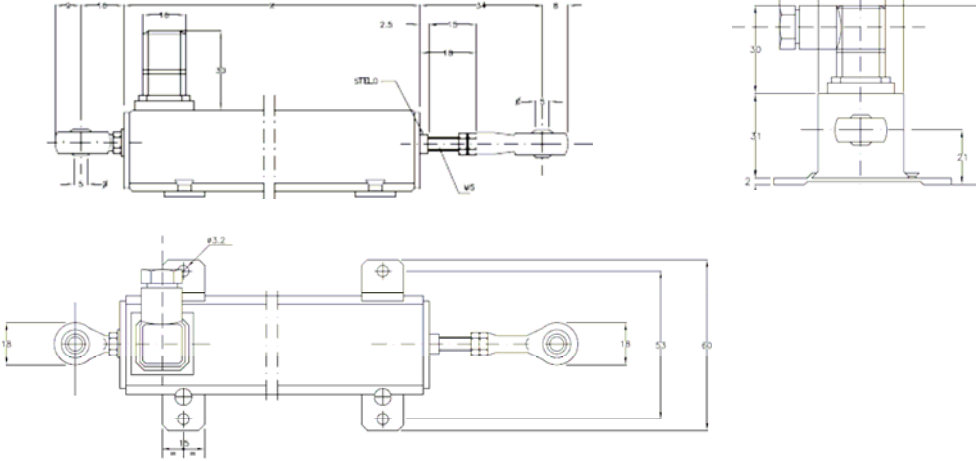


SCHEMA DI COLLEGAMENTO	
PIN 1 = +	OUT 0 : 10V
PIN 2 = -	OUT 0 : 10V
PIN 3 =	0V
PIN 4 = +	18V : 30VCC

] ALIMENTAZIONE

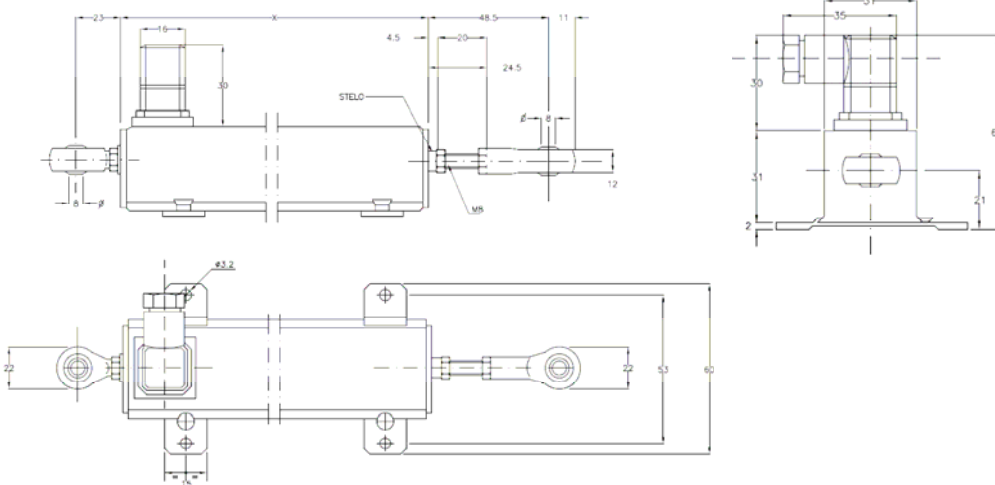
## ■ Dimensions

### series FDPL2S-V



Stroke	Body Length
50 mm	190 mm
100 mm	240 mm
150 mm	290 mm
200 mm	340 mm
250 mm	390 mm
300 mm	440 mm
400 mm	540 mm
500 mm	640 mm
750 mm	890 mm
950 mm	1090 mm

### series FDPL231-V



Stroke	Body Length
50 mm	247 mm
100 mm	297 mm
150 mm	347 mm
200 mm	397 mm
250 mm	447 mm
300 mm	497 mm
400 mm	597 mm
500 mm	697 mm
750 mm	945 mm

## FDAD0/10

## FDAD0/5

### Analogue Output Buffer Circuit for Linear Potentiometers

The buffer circuit can be coupled to any potentiometer with impedance value 500 Ohm.

The potentiometer signal is properly operated through the FDAD buffer and made available for the capture device.

- Supply voltage 18..30Vdc
- Voltage output proportional to the position: type FDAD0/10V 0..10V – type FDAD0/5V 0..5V
- Gain error  $\pm 0,05\%$  of the measured value
- Protection against polarity inversion for the supply
- Protection against short circuits on the potentiometer supply
- Thermal drift: 0.0043% of the measured value/°C
- Operating temperature: -20..+70°C
- Aluminium case dimensions: mm 31x31x L 60
- IP54 protection degree

### **ALTHERIS** bv

Scheveningseweg 15  
2517 KS DEN HAAG  
The Netherlands

☎ +31 (0)70 3924421  
☎ +31 (0)70 3644249

Offices in : Benelux | Germany | France | UK | Italy | USA

🌐 www.altheris.com  
✉ sales@altheris.nl

LEADERS IN SENSORS & HEAVY DUTY JOYSTICKS

**ALTHERIS**  
SENSORS & CONTROLS