



FDPR / FDPR2S

Linear Motion Potentiometer

- Excellent Linearity
- Small size
- Infinite Resolution
- Round case



Linear motion potentiometers series FDPR / FDPR2S change mechanical linear motions into the corresponding electrical signals. Accurate, stout and reliable, they solve any problem linked to measuring and positioning control on any kind of industrial machine. Ball joints are provided at both ends for air fixing, which allows to compensate slight mis-alignments in the applications.

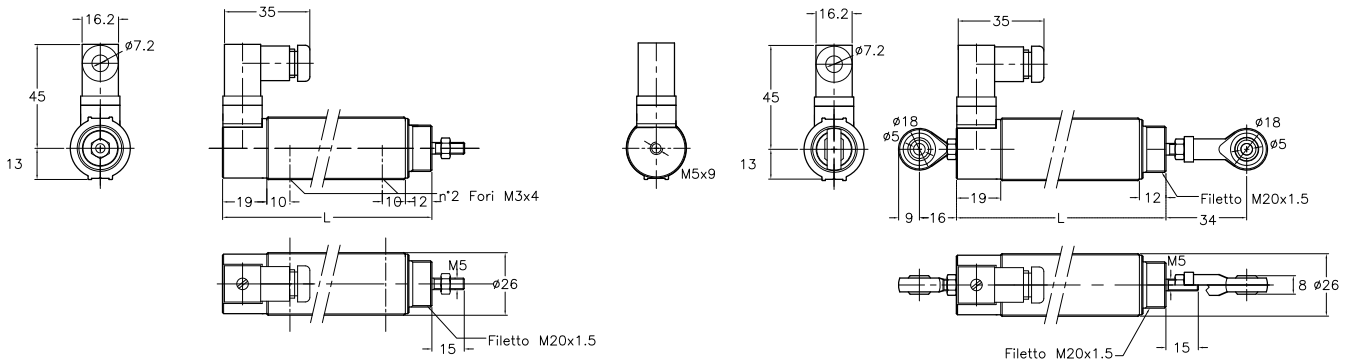
More Features:

- 20 Mio. operations life
- Conductive plastic resistance element
- Moving speed up to 1 m/s
- Shaft diameter 5 mm
- Stout aluminium case
- Easy fixing by metal feet, front screw thread or ball joints
- Electrical connections by orientable connector
- IP65 protection
- Strokes: 25 to 150 mm
- Available fittings: ball joint, out-of-alignment joint, feeler pin, metal feet, screw nut
- Series FDPR2S: ball joint at both ends

Specifications

Strokes	25 mm	50 mm	75 mm	100 mm	150 mm
Resistive element	conductive plastic				
Resistive value	1 kOhm 5 kOhm	5 kOhm			
Total resistance tolerance	±20 %				
Independent linearity	± 0,2%	± 0,15%	± 0,1%	± 0,075%	± 0,075%
Resolution	infinite				
Output smoothness	<0,1 % against input voltage				
Contact resistance variation	<2 % C.R.V.				
Power rating	0,4 W	0,7 W	0,95	1,2	1,8
Resistance temperature coefficient	±400 ppm/°C				
Insulation resistance	>1000 MOhm at 500 VDC				
Electrical connection	orientable connector				
Case material	anodised aluminium				
Shaft material	stainless steel on auto-lubricating alebox – free rotation				
Sliding friction	0,2 kg				
Max. strain on closing stranges	10 kg				
Fixing	metal feet, ball joints or front screw thread				
Life	20 Mio. motions, no load				
Protection degree	IP65				
Operating temperature	-25...+85°C				
Stem max. linear speed	1 m/s				
Vibration (10...2000 Hz)	15 g				
Shock (11 ms)	50 g				

■ Dimensions

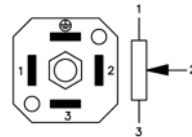


■ Available strokes

Nominal strokes (mm)	25	50	75	100	150
Length of body (L)	91	116	141	166	216

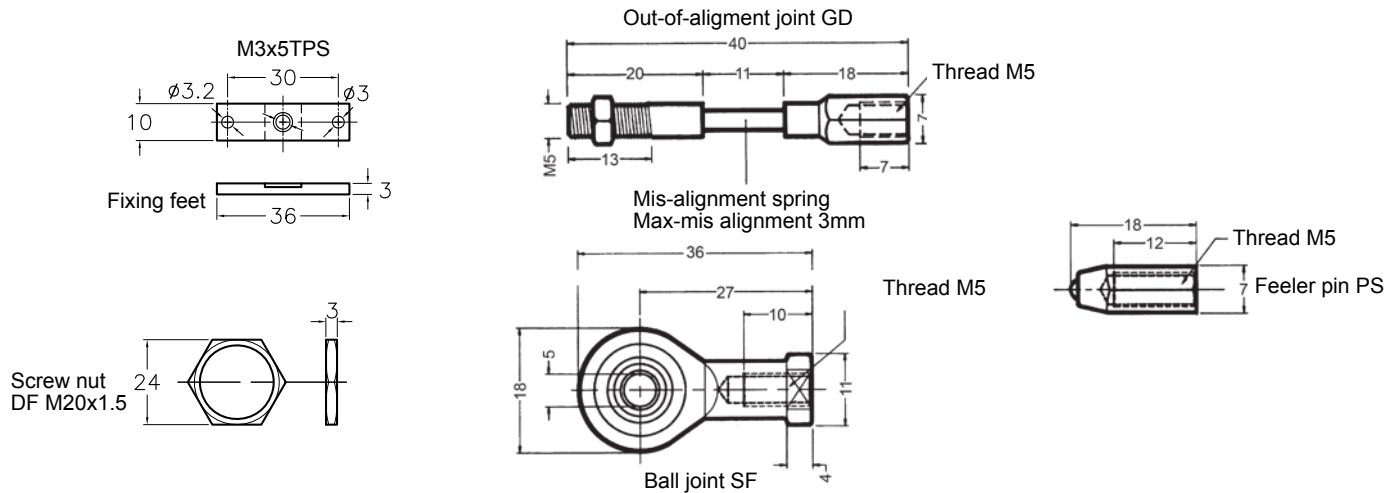
Electrical stroke : nominal stroke $\pm 0,5$ mm
Mechanical stroke : nominal stroke ± 2 mm

■ Connection Diagram



Pin 1: resistance O Ohm with stem in

■ Optional Fittings FDPR series



■ Ordering Information

Example

Model	Stroke in mm	Resistance in Ohm	Fittings
FDPR	50	5K	PS

Our policy is to improve specification of our products continuously, so technical and production details can be changed without any notice.

ALTHERIS bv

Scheveningseweg 15
 2517 KS DEN HAAG
 The Netherlands

+31 (0)70 3924421

+31 (0)70 3644249

Offices in : Benelux | Germany | France | UK | Italy | USA

www.altheris.com

sales@altheris.nl

LEADERS IN SENSORS & HEAVY DUTY JOYSTICKS

ALTHERIS
 SENSORS & CONTROLS