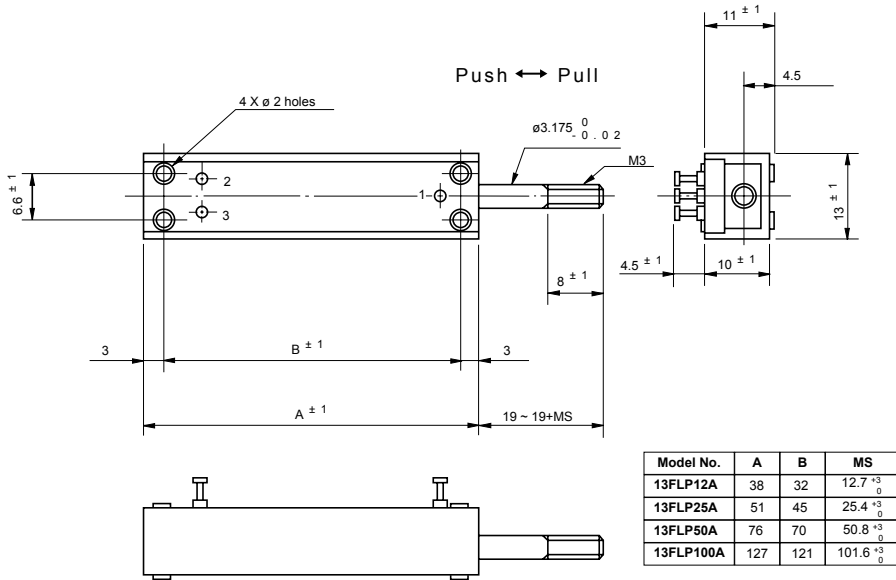




Model 13FLP

Low cost item (conductive plastic) With front extended shaft

Standard dimensions



Model 13FLP25A



Model 13FLP100A

Standard Model Nos.

13FLP12A	stroke	12mm
13FLP25A	stroke	25mm
13FLP50A	stroke	50mm
13FLP100A	stroke	100mm

General Specifications

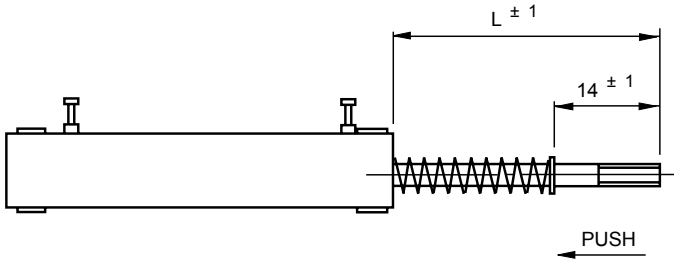
Model No.	13FLP12A	13FLP25A	13FLP50A	13FLP100A	
Standard Resistance Values	500,1k,2k,5k,10k (E)	500,1k,2k,5k,10k (E)	1k,2k,5k,10k,20k (E)	1k,2k,5k,10k,20k (E)	
Total Resistance Tolerance	±20% (K)				
Independent Linearity Tolerance	Standard Class	±2.0%	±1.5%	±1.0%	±0.7%
	Precision Class	±1.0%	±0.7%	±0.5%	±0.3%
Resolution	Essentially Infinite				
Output Smoothness	Within 0.1% against input voltage				
Contact Resistance Variation	Within 2% C.R.V.				
Power Rating	0.2W	0.4W	0.7W	1.2W	
Electrical Stroke	12.7±0.5mm	25.4±0.5mm	50.8±0.5mm	101.6±0.5mm	
Mechanical Stroke (MS)	12.7 ⁺³ ₀ mm	25.4 ⁺³ ₀ mm	50.8 ⁺³ ₀ mm	101.6 ⁺³ ₀ mm	
Insulation Resistance	Over 1,000M Ω at 500V.D.C.				
Dielectric Strength	1 minute at 500 V.A.C.				
Friction	Within 0.5N (50gf)			Within 1.0N (100gf)	
Stopper Strength	Approx. 20N (2kgf)				
Resistance Temperature Coefficient	±400p.p.m./°C				
Mass	Approx. 10g	Approx. 15g	Approx. 25g	Approx. 35g	

■ **Special Specifications Available**

Spring return device mounted on the shaft (friction is referred as within table), special machining on the shaft, wirewound resistive element type (13LP series).

In case of 13FLP series with spring return device, please note the following:

The spring return device is mounted on the outside shaft, of which dimensions are as the table.



Model No.	L	Friction
S13FLP12A	30 ~ 30+MS	3.5N (350gf)
S13FLP25A	35 ~ 35+MS	5N (350gf)
S13FLP50A	40 ~ 40+MS	5N (350gf)
S13FLP100A	50 ~ 50+MS	5N (350gf)

Note: MS means Mechanical Stroke

ALTHERIS bv

Scheveningseweg 15
2517 KS DEN HAAG
The Netherlands

+31 (0)70 3924421

+31 (0)70 3644249

Offices in : Benelux | Germany | France | UK | Italy | USA

www.altheris.com

sales@altheris.nl

LEADERS IN SENSORS & HEAVY DUTY JOYSTICKS

ALTHERIS
SENSORS & CONTROLS