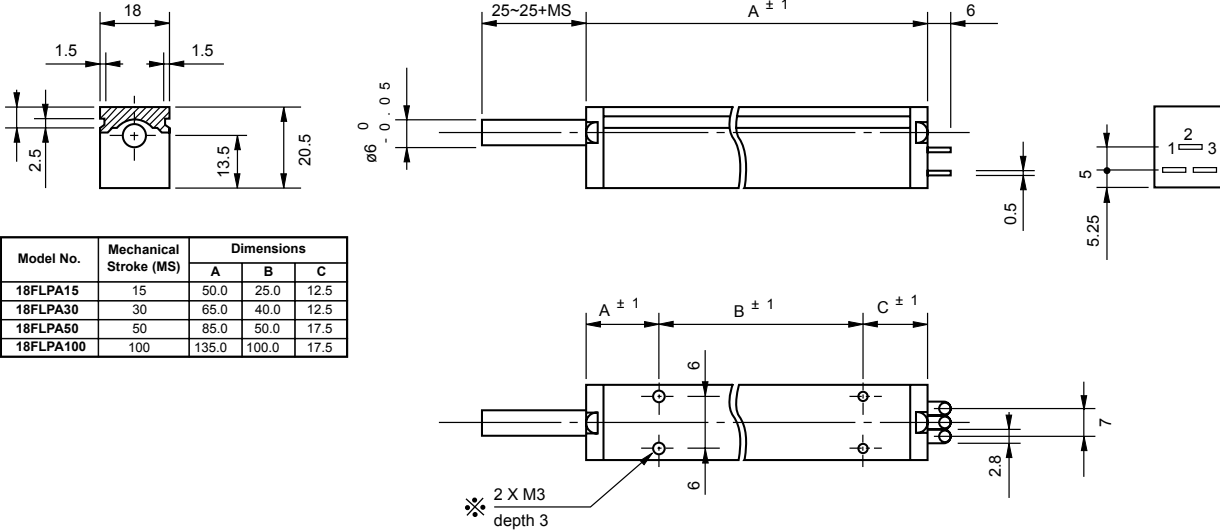




# Model 18FLPA

Conductive plastic ( With front extended shaft)

## Standard dimensions



Model No.	Mechanical Stroke (MS)	Dimensions		
		A	B	C
18FLPA15	15	50.0	25.0	12.5
18FLPA30	30	65.0	40.0	12.5
18FLPA50	50	85.0	50.0	17.5
18FLPA100	100	135.0	100.0	17.5

Note: ✱ Please do not screw the mounting screws over 3mm, in order to prevent the damage of the inside resistive element.

## Standard Model Nos.

18FLPA15	stroke	15mm
18FLPA30	stroke	30mm
18FLPA50	stroke	50mm
18FLPA100	stroke	100mm



Model 18FLPA50

## General Specifications

Model No.	18FLPA15	18FLPA30	18FLPA50	18FLPA100
<b>Standard Resistance Values</b>	500, 1k, 2k, 5k, 10k (Ω)	500, 1k, 2k, 5k, 10k (Ω)	500, 1k, 2k, 5k, 10k (Ω)	1k, 2k, 5k, 10k, 20k (Ω)
<b>Total Resistance Tolerance</b>	±10% (K)			
<b>Independent Linearity Tolerance</b>	<b>Standard Class</b>	±0.7%	±0.4%	±0.3%
	<b>Precision Class</b>	±0.5%	±0.25%	±0.2%
<b>Resolution</b>	Essentially Infinite			
<b>Output Smoothness</b>	Within 0.1% against input voltage			
<b>Contact Resistance Variation</b>	Within 2% C.R.V.			
<b>Power Rating</b>	0.3W	0.6W	0.75W	1.25W
<b>Electrical Stroke</b>	15±0.5mm	30±0.5mm	50±0.5mm	100±0.5mm
<b>Mechanical Stroke (MS)</b>	15 <sup>+2</sup> <sub>0</sub> mm	30 <sup>+2</sup> <sub>0</sub> mm	50 <sup>+2</sup> <sub>0</sub> mm	100 <sup>+2</sup> <sub>0</sub> mm
<b>Insulation Resistance</b>	Over 1,000M Ω at 1,000V.D.C.			
<b>Dielectric Strength</b>	1 minute at 1,000 V.A.C.			
<b>Friction</b>	Within 0.3N (30gf)		Within 1N (100gf)	
<b>Stopper Strength</b>	Approx. 90N (9kgf)			
<b>Resistance Temperature Coefficient</b>	±400p.p.m./°C			
<b>Mass</b>	Approx. 60g	Approx. 70g	Approx. 100g	Approx. 140g

### ■ Special Specifications available

Stroke 150mm (S18FLPA150), stroke 200mm (S18FLPA200), sealed type (IP54, the length of "A" is extended by abt. 6 mm), with spring return device (up to 100mm stroke. Friction is 3N [300gf]. Spring return device is mounted on the outer shaft and the shaft is extended by some extent depending on the models. For details please ask us), special machining on the shaft.

#### **ALTHERIS bv**

Scheveningseweg 15  
2517 KS DEN HAAG  
The Netherlands

☎ +31 (0)70 3924421

☎ +31 (0)70 3644249

Offices in : Benelux | Germany | France | UK | Italy | USA

🌐 [www.altheris.com](http://www.altheris.com)

✉ [sales@altheris.nl](mailto:sales@altheris.nl)

LEADERS IN SENSORS & HEAVY DUTY JOYSTICKS

**ALTHERIS**  
SENSORS & CONTROLS