

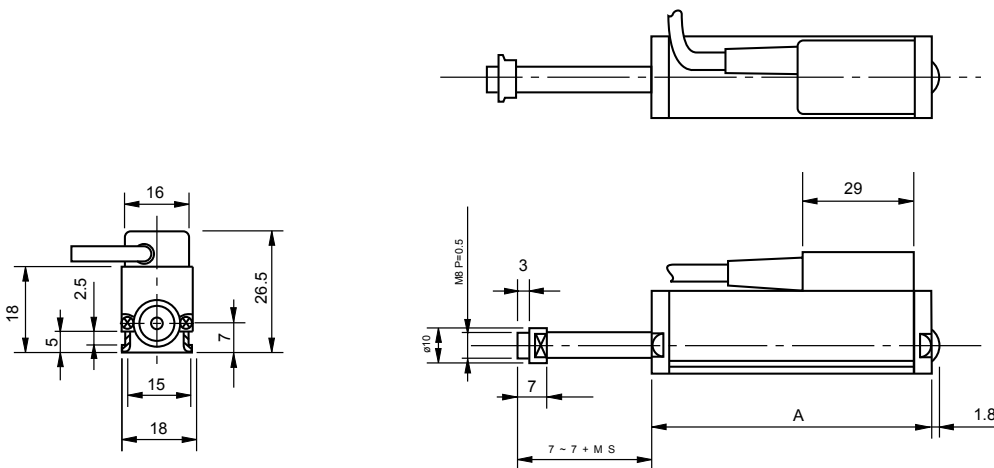


## ■ General Specifications

Model No.	18FLPBC25	18FLPBC50	18FLPBC75	18FLPBC100	18FLPBC150
Standard Resistance Values	500, 1k, 2k, 5k, 10k (Ω)	500, 1k, 2k, 5k, 10k (Ω)	500, 1k, 2k, 5k, 10k, 20k (Ω)	1k, 2k, 5k, 10k, 20k (Ω)	1k, 2k, 5k, 10k, 20k (Ω)
Total Resistance Tolerance	±10% (K)				
Independent Linearity Tolerance	Standard Class	±0.5%			
	Precision Class	±0.2%	±0.1%		±0.05%
Resolution	Essentially Infite				
Output Smoothness	Within 0.1% against input voltage				
Contact Resistance Variation	Within 2% C.R.V.				
Power Rating	0.5W	0.75W	1.0W	1.25W	1.5W
Electrical Stroke	25±1mm	50±1mm	75±1mm	100±1mm	150±1mm
Mechanical Stroke (MS)	Approx. 30mm	Approx. 55mm	Approx. 80mm	Approx. 105mm	Approx. 155mm
Insulation Resistance	Over 1,000M Ω at 500V.D.C.				
Dielectric Strength	1 minute at 500V.A.C.				
Friction	Within 1.2N (120gf)				
Stopper Strength	Approx. 90N (9kgf)				
Resistance Temperature Coefficient	±400p.p.m./°C				
Mass	Approx. 90g	Approx. 120g	Approx. 140g	Approx. 160g	Approx. 250g

## ■ Special specifications available

Higher resistance value (50kΩ, 100kΩ, [100kΩ is available for 18FLPA150 only ] ), Stroke 200mm (S18FLBC200), Sealed type (IP54, The length of "A" is extended by abt. 6mm.), Extra taps (available up to 1 tap and only on the version with a connector.). In case of with leadwire terminals, the dimensions are as the right drawing: (The dimensions of "A" & "L" are the same as above table. Leadwire length is 1m.



LEADERS IN SENSORS & HEAVY DUTY JOYSTICKS

### ALTHERIS bv

Scheveningseweg 15  
2517 KS DEN HAAG  
The Netherlands

+31 (0)70 3924421

+31 (0)70 3644249

Offices in : Benelux | Germany | France | UK | Italy | USA

www.altheris.com

sales@altheris.nl

**ALTHERIS**  
SENSORS & CONTROLS