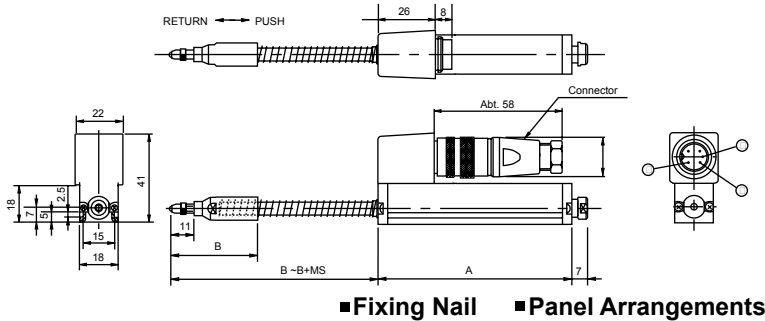




# Model 18FLPC

Conductive plastic (With front and rear extended shaft)

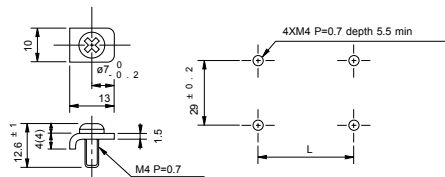
## Standard dimensions



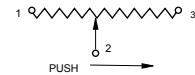
Model 18FLPCC50RE

## Specifications of Connector

Number of poles: 5 poles  
 Electrical wire diameter to be connected:  $\phi 4.8\text{mm}$  max



## Connector Terminal Connection Diagram



Model No.	Mechanical Stroke (MS)	Dimensions		
		A	B	L
18FLPCC25RE	30	63	32	33
18FLPCC50RE	55	88	40	58

Note: 4 pcs of fixing nail and mating connector are attached

## Standard Model Nos.

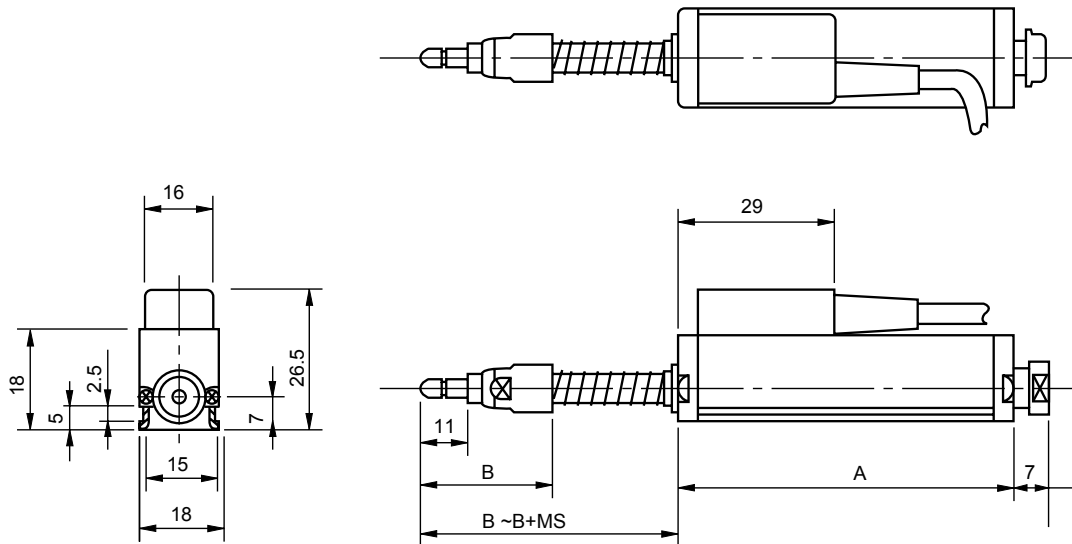
18FLPCC25RE stroke 25mm  
 18FLPCC50RE stroke 50mm

## General Specifications

Model No.	18FLPCC25RE	18FLPCC50RE
Standard Resistance Values	500, 1k, 2k, 5k, 10k ( $\Omega$ )	500, 1k, 2k, 5k, 10k ( $\Omega$ )
Total Resistance Tolerance	$\pm 10\%$ (K)	
Independent Linearity Tolerance	Standard Class	$\pm 0.5\%$
	Precision Class	$\pm 0.1\%$
Resolution	Essentially Infinite	
Output Smoothness	Within 0.1% against input voltage	
Contact Resistance Variation	Within 2% C.R.V.	
Power Rating	0.5W	0.75W
Electrical Stroke	25 $\pm$ 1mm	50 $\pm$ 1mm
Mechanical Stroke (MS)	Approx. 30mm	Approx. 55mm
Insulation Resistance	Over 1,000M $\Omega$ at 500V.D.C.	
Dielectric Strength	1 minute at 500 V.A.C.	
Friction	Within 3N (300gf)	
With Spring Return Device	Fitted (standard)	
Stopper Strength	Approx. 90N (9kgf)	
Resistance Temperature Coefficient	$\pm 400\text{p.p.m.}^\circ\text{C}$	
Mass	Approx. 100g	Approx. 150g

■ **Special Specifications available**

Higher resistance valueu (20kΩ, 50kΩ [50kΩ is available for 18FLPCC50RE only] ), Stroke 75mm (S18FLPCC75), stroke 100mm (S18FLPCC100), stroke 150mm (S18FLPCC150), stroke 200mm (S18FLPCC200), sealed type (IP54, the length of "A" is extended by abt. 12mm), with spring return device (available 75mm & 100mm stroke, friction is approx. 3N [300gf]. Spring return device is mounted on the outer shaft), with a cardan joint (without spring return device). Extra taps (available up to 1 tap and only on the version with a connector). In case of leadwire terminals, the dimensions are as the right drawing: (the dimensions of "A", "B" & "L" are the same as above table), leadwire length is 1m.



**ALTHERIS bv**

Scheveningseweg 15  
2517 KS DEN HAAG  
The Netherlands

+31 (0)70 3924421

+31 (0)70 3644249

Offices in : Benelux | Germany | France | UK | Italy | USA

www.altheris.com

sales@altheris.nl

LEADERS IN SENSORS & HEAVY DUTY JOYSTICKS

**ALTHERIS**  
SENSORS & CONTROLS