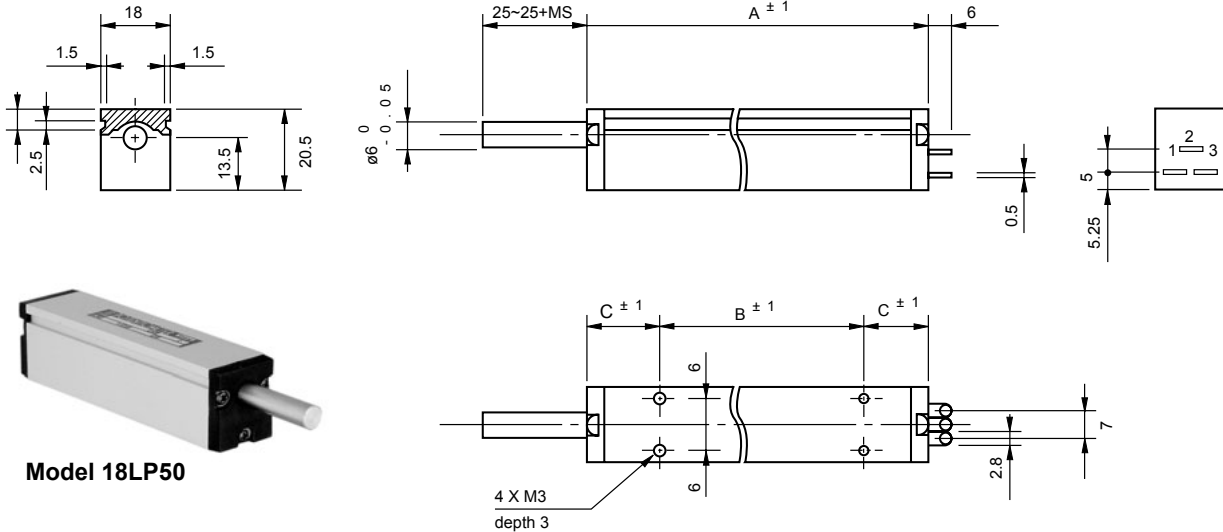




Model 18LP

Wirewound (With front extended shaft)

Standard dimensions



Model 18LP50

Note: Please do not fasten the mounting screws over 3mm in order to avoid damaging the inside construction

Model No.	Mechanical Stroke (MS)	Dimensions		
		A	B	C
18LP15	15	50.0	25.0	12.5
18LP30	30	65.0	40.0	12.5
18LP50	50	85.0	50.0	17.5
18LP100	100	135.0	100.0	17.5

Standard Model Nos.

18LP15	stroke	15mm
18LP30	stroke	30mm
18LP50	stroke	50mm
18LP100	stroke	100mm

General Specifications

Model No.	18LP15	18LP30	18LP50	18LP100	
Standard resistance Range	10 (Ω) ~ 5k (Ω)	20 (Ω) ~ 10k (Ω)	50 (Ω) ~ 10k (Ω)	50 (Ω) ~ 20k (Ω)	
Total Resistance Tolerance	Standard Class	±5% (J)			
	Precision Class	±3% (H)			
Independent Linearity Tolerance	Standard Class	±2.0%	±1.0%	±0.7%	±0.5%
	Precision Class	±1.0%	±0.5%	±0.4%	±0.25%
Power Rating	0.3W	0.5W	0.75W	1.0W	
Noise	Within 100 Ω E.N.R.				
Electrical Stroke	15±0.5mm	30±0.5mm	50±0.5mm	100±0.5mm	
Mechanical Stroke (MS)	15 ⁺² ₀ mm	30 ⁺² ₀ mm	50 ⁺² ₀ mm	100 ⁺² ₀ mm	
Insulation Resistance	Over 100M Ω at 1,000V.D.C.				
Dielectric Strength	1 minute at 1,000 V.A.C.				
Friction	Within 0.6N (60gf)	Within 0.8N (80gf)	Within 1N (100gf)		
Stopper Strength	Approx. 90N (9kgf)				
Max. Working Voltage	100V				
Resistance Temperature Coefficient of Wire	±20 p.p.m./°C				
Mass	Approx. 60g	Approx. 70g	Approx. 100g	Approx. 140g	

■ **Standard resistance values | No. Of wire turns | Resistance Wire Used**

Resist. Value (Ω)	10	20	50	100	200	500	1k	2k	5k	10k	20k
18LP15	75	90	115	110	140	160	230	280	350	-	-
18LP30	-	150	190	240	210	280	360	450	580	780	-
18LP50	-	-	260	340	420	440	500	650	900	1.100	-
18LP100	-	-	400	530	670	900	900	1.000	1.200	1.600	2.400
Resist. Wire Used	Cu-Ni System						Ni-Cr System				

■ **Special Specifications available**

Stroke 150mm (S18LP150), stroke 200mm (S18LP200), sealed type (IP54, the length of "A" is extended by abt. 6 mm), with spring return device (up to 100mm stroke. Friction is 3N [300gf]. Spring return device is mounted on the outer shaft (For details please ask us), special machining on the shaft.

ALTHERIS bv

Scheveningseweg 15
2517 KS DEN HAAG
The Netherlands

+31 (0)70 3924421

+31 (0)70 3644249

Offices in : Benelux | Germany | France | UK | Italy | USA

www.altheris.com

sales@altheris.nl

LEADERS IN SENSORS & HEAVY DUTY JOYSTICKS

ALTHERIS
SENSORS & CONTROLS