



# Model 200FCA Series

## Incorporated Potentiometer with a Conductive Plastic resistive element

### Nomenclature

**S 200 FCA - 1 0 A - 0 0 0 0**

**S**  
S means special mechanical specifications not applicable to our standard.

**200**  
200 means approx. size of base housing in mm.

**FCA**  
FC means Foot Controller, A means long pedal type.

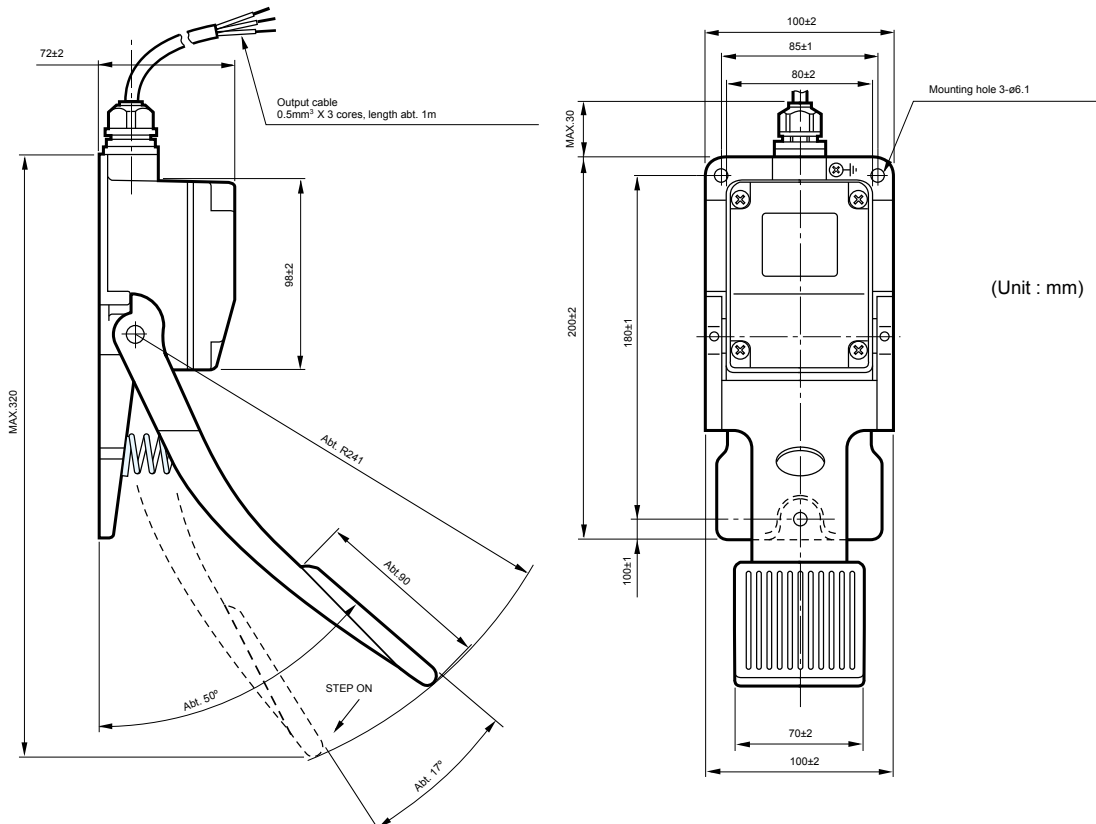
**Special part number :**  
In case we produce customized product, we add 4-digit branch number.

**0 ① Number of switches to be incorporated (Option).**  
 0--No switch incorporated.  
 1--1 switch incorporated.  
 2--2 switches incorporated.

**A ② Rating of switch :**  
 A. B. C. ---Code-switch  
 D. E. F. ---Micro-switch  
 G---other switch

**1 Number of potentiometers to be incorporated**  
 0--No potentiometer incorporated.  
 1--1 potentiometer incorporated.  
 2--2 potentiometers incorporated (Option).

### Standard Dimensions



## ■ Standard Specifications

### Mechanical Performance

**Operating method** : Stepping pedal type

**Operating angle** : Approx. 17°

**Operating force** : Standard spring return device : Automatically return to center.

Abt. 10N~22N (Abt. 1,000gf.~2,200gf.)

**Operating temperature range** : - 20°C~+65°C

**Vibration** : 10~55Hz 98m/s<sup>2</sup>

**Shock** : 294m/s<sup>2</sup>

**Life expectancy** : Approx. 2,000,000 operations

**Mass** : Approx. 1.2kg

### Electrical Performance

**Potentiometer incorporated** : SFCP22E, 10kΩ ±20%, 0.3W, independent linearity tolerance 3% (conductive plastic resistance element)

**Electrical rotating angle** : Approx. 70°

**Output smoothness** : Below 0.2% against input voltage

**Contact resistance variation** : Below 5% C.R.V.

**Resolution** : Essentially infinite

**Dielectric strength** : 1 minute at 500V.A.C.

**Insulation resistance** : Over 1,000MΩ at 500V D. C.

### Special Specifications Available

**-With switch incorporated :**

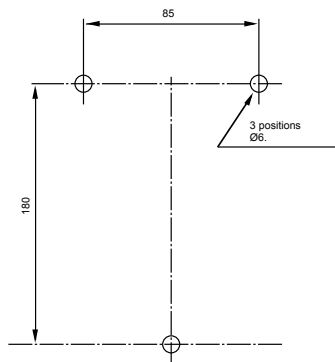
Regarding rating of switch

If you require pedal with one switch , unless specified, we supply the pedal with A version switch (code-switch with "ON" operation at about 3 from the beginning of stepping).

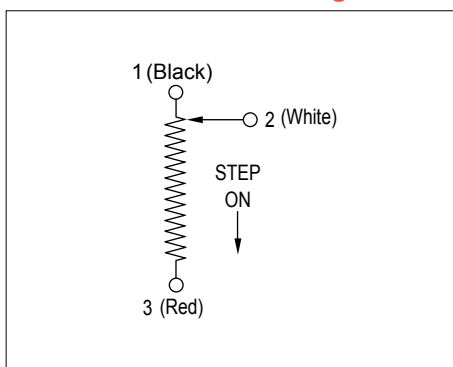
(Model S200FCA-11A)

- IP65 sealing
- 2 ganged potentiometer.
- Special resistance value on potentiometer.
- An intermediate tap on potentiometer.

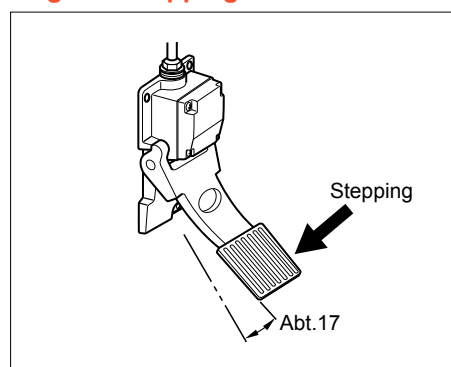
### Standard Panel Arrangements



### Terminal Connection Diagram



### Angle of Stepping



**200FCA-10**  
(standard)

### ALTHERIS bv

Scheveningseweg 15  
2517 KS DEN HAAG  
The Netherlands

+31 (0)70 3924421

+31 (0)70 3644249

Offices in : Benelux | Germany | France | UK | Italy | USA

www.altheris.com

sales@altheris.nl

LEADERS IN SENSORS & HEAVY DUTY JOYSTICKS

**ALTHERIS**  
SENSORS & CONTROLS