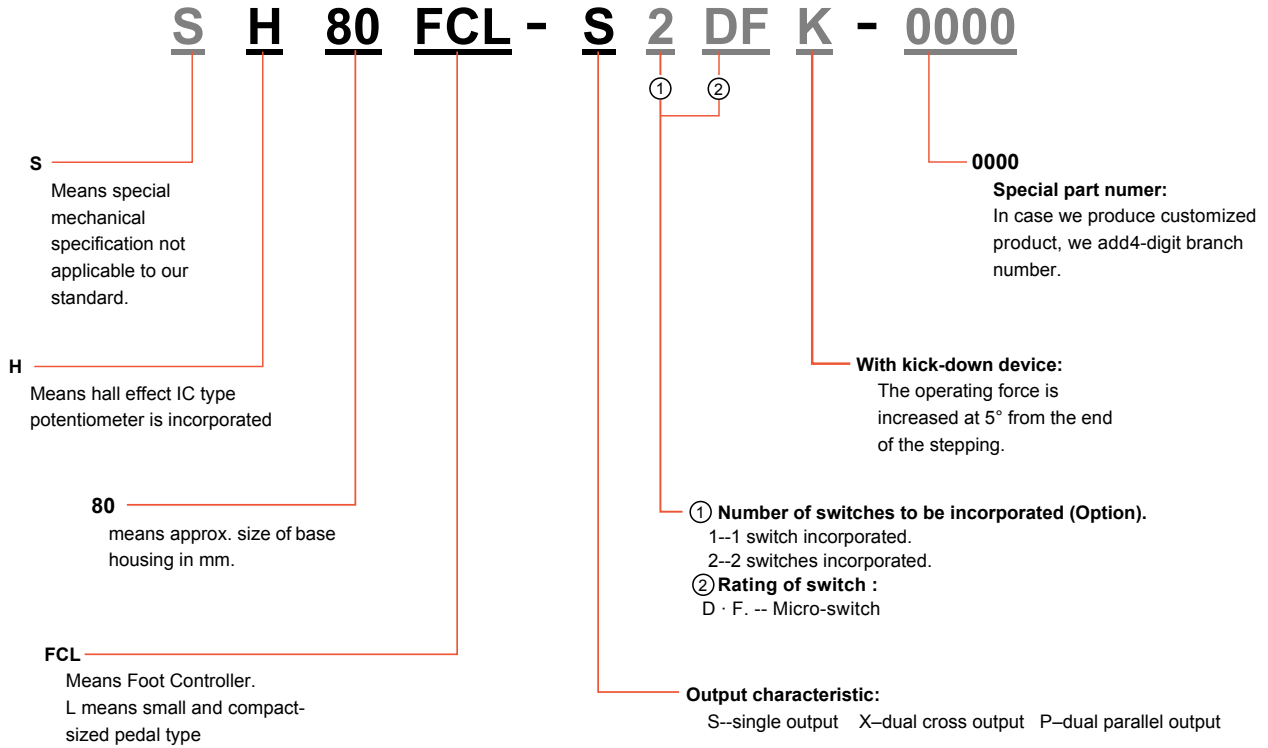




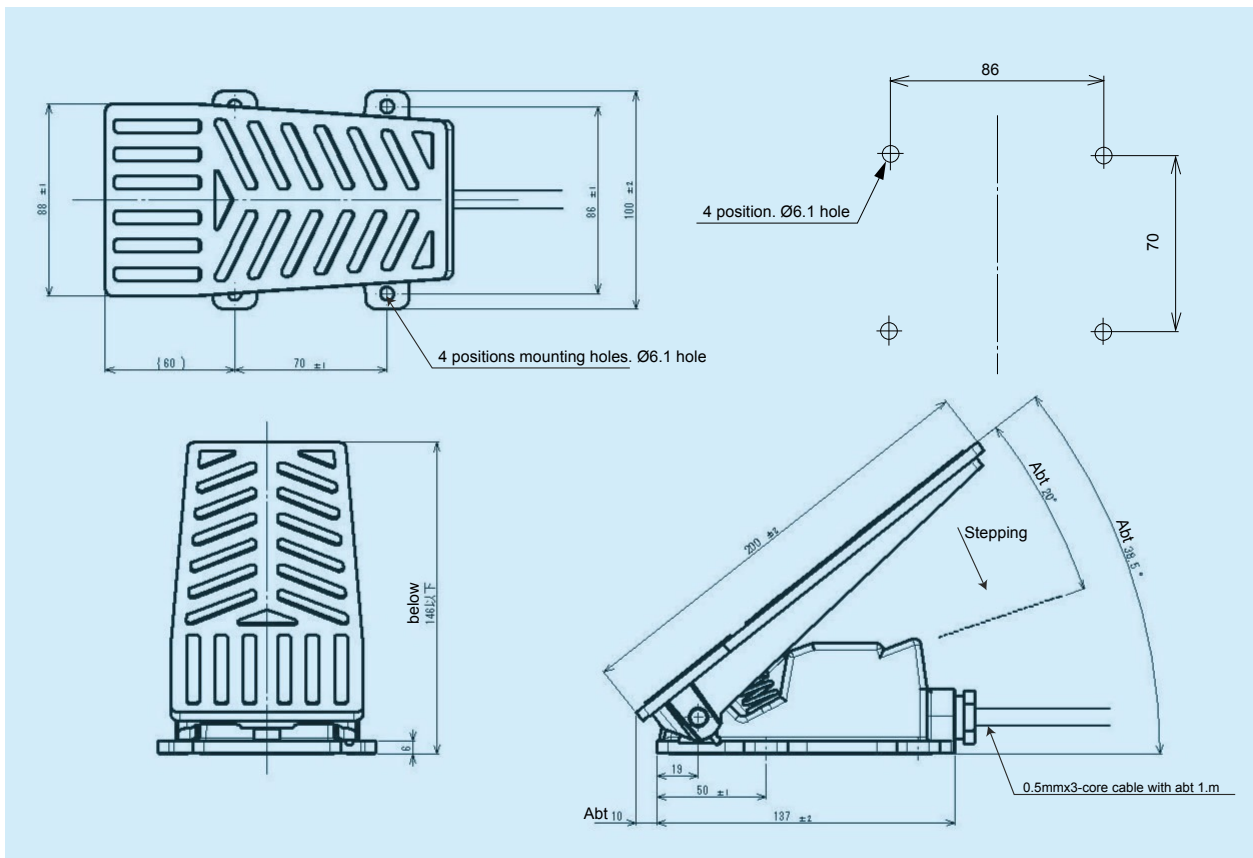
Model H80FCL

Incorporated Potentiometer with a hall effect IC type resistive element

Nomenclature



Standard Dimensions



Standard Specifications

Mechanical Performance

Operating method : Stepping pedal type
Operating angle : Approx. 20°
Operating force : Standard automatic spring return device
 Abt. 10N~60N(Abt. 1,000gf.~6,000gf.)
Operating temperature range : -20°C~+65°C
Vibration : 10~55Hz 98m/s²
Shock: 294 m/s² (11ms)
Life expectancy : Approx. 2,000,000 operations
Mass : Approx. 850g

Optional specifications

With switch mounted:

D version switch: SW "ON" at about 3° from the beginning of stepping under 1V±0.3V.D.C. output.

F version switch: SW "ON" at about 3° from the end of stepping under 4V±0.3V.D.C. output.

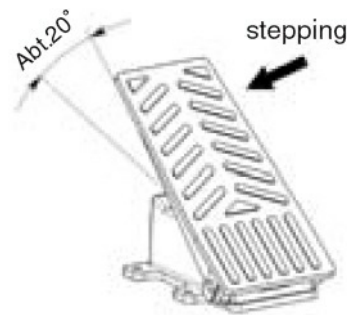
With kick-down service: Operating force is increased at about 5° from the end of the stepping (max approx 250N)

With special output: Dual parallel output, dual cross output.

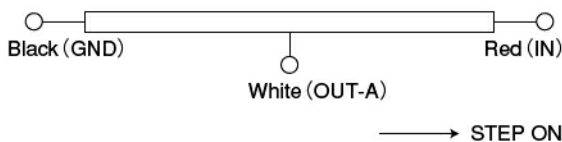
Electrical Performance

Hall effect IC type potentiometer is incorporated: SHSM18E, hall effect IC type single-turn contactless potentiometer.
 - applied voltage: 5V±10% D.C
 - output range: Approx. 10%~90% Vin
 - Independent linearity tolerance: ±3%
Dielectric strength: 1 minute at 250 V.A.C.
Insulation resistance: over 100MΩ at 250V.D.C.
EMC durability: 100V/m(80Mhz~1Ghz 1Khz sine-wave 80%AM modulation
ESD durability: ±8 KV contact ±15KV aerial discharge

Angle of Stepping



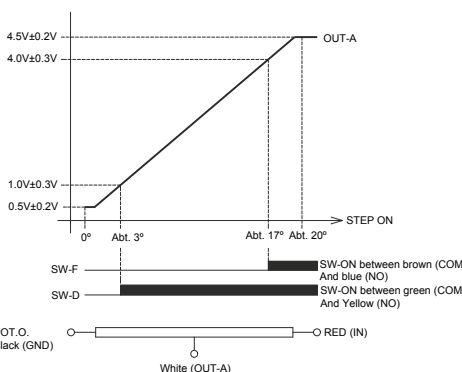
Angle of Stepping



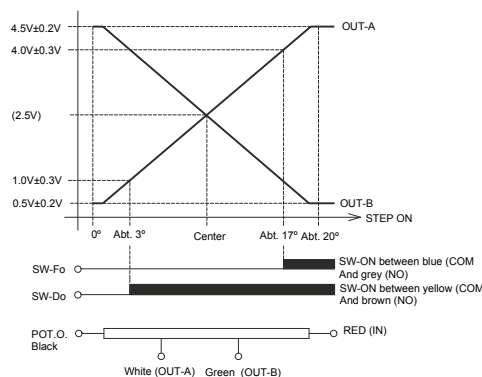
H80FCL

Panel Arrangement

Output characteristics and activation point of switch (SH80FCL-S2DF model with single output and micro switches, both D and F types)



Output characteristics and activation point of switch (SH80FCL-X2DF model with crossed output and micro switches, both D and F types)



ALTHERIS bv

Scheveningseweg 15
 2517 KS DEN HAAG
 The Netherlands

+31 (0)70 3924421

+31 (0)70 3644249

Offices in : Benelux | Germany | France | UK | Italy | USA

www.altheris.com

sales@altheris.nl

LEADERS IN SENSORS & HEAVY DUTY JOYSTICKS

ALTHERIS
 SENSORS & CONTROLS