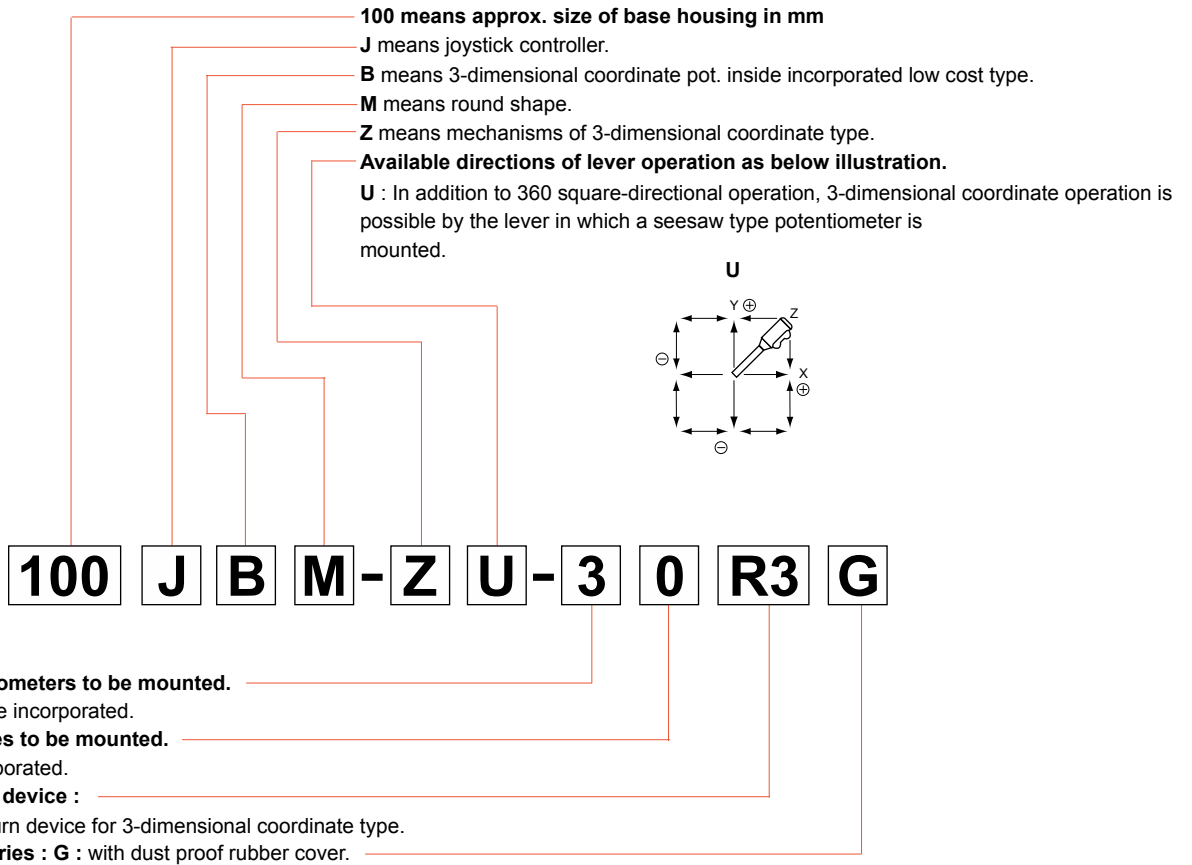




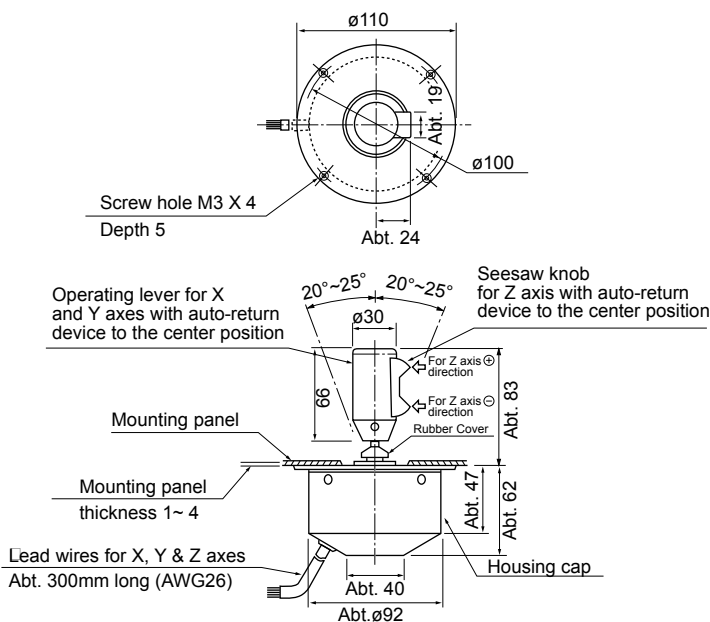
Model 100JB Potentiometer incorporated type

Potentiometer with a conductive plastic resistive element

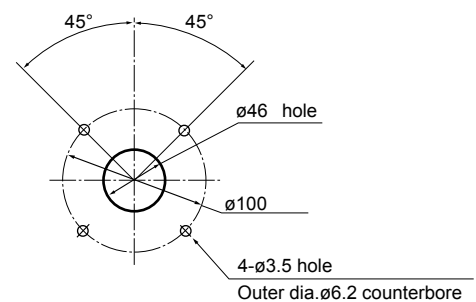
Nomenclature



Standard Dimensions



Panel Arrangements



Note : 4 pcs. of mounting screws (M3 X8) are attached.
 (Unit : mm)

■ Standard Dimensions

Mechanical Performance

Controlling range of operating lever :

- 2-dimensional coordinate type : Omni-directionally approx. $\pm 20^{\circ} \sim \pm 25^{\circ}$ operation from center position.
- 3-dimensional coordinate type : Approx. $\pm 15^{\circ} \sim \pm 19^{\circ}$ operation from the center position of the seesaw knob, in addition to the controlling range of 2-dimensional coordinate type.

Operating force : Standard spring return device: Automatically return to center.

X, Y directions : Approx. 0.8~2.3N (80~230gf.) [with 2 springs(with directive feeling)as standard version]

Z direction : Approx. 24~30mN·m (240~300gf·cm)

Operating temperature range : -20°C ~+65°C

Vibration : 10 55Hz 98m/s²

Shock : 294m/s²

Life expectancy : Approx. 5,000,000 operations for X and Y axes. Approx. 2,000,000 operations for Z axis.

Mass : 3-dimensional coordinate type Approx. 410g

Electrical Performance

Potentiometers mounted :

- For X and Y axes (Electrical rotating angle : Approx. 40°) SFCP22E, 10kΩ±15% , 0.13W, Independent linearity tolerance ±3% (conductive plastic resistive element).
- For Z axis (Electrical rotating angle : Approx. 30°) Special potentiometer RMP30AY is exclusively used for seesaw knob. 10kΩ±15%, 0.1W, Independent linearity tolerance ±3%.

Output smoothness : Below 0.2% against input voltage.

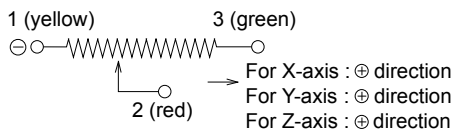
Contact resistance variation : Below 5% C.R.V.

Resolution : Essentially infinite

Dielectric strength : 1 minute at 500V.A.C.

Insulation resistance : Over 1,000MΩ at 500V.D.C.

Terminal Connection Diagram



Note:1) Terminals shall be lead-wire terminals with approx. 300mm long.(AWG26)



100JBM-ZU-30R3G
(Standard)

(3-dimensional coordinate type)

LEADERS IN SENSORS & HEAVY DUTY JOYSTICKS

ALTHERIS bv

Scheveningseweg 15
 2517 KS DEN HAAG
 The Netherlands

☎ +31 (0)70 3924421
 ☎ +31 (0)70 3644249

Offices in : Benelux | Germany | France | UK | Italy | USA

🌐 www.altheris.com
 📧 sales@altheris.nl

ALTHERIS
 SENSORS & CONTROLS