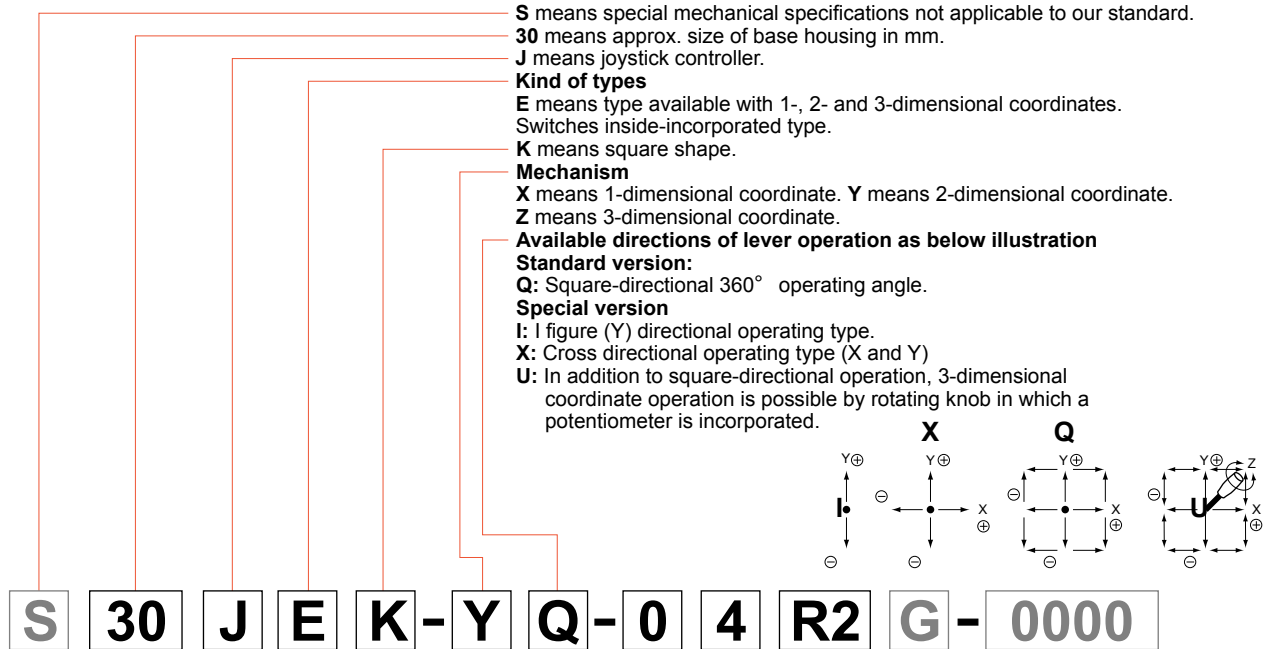




Model 30JE

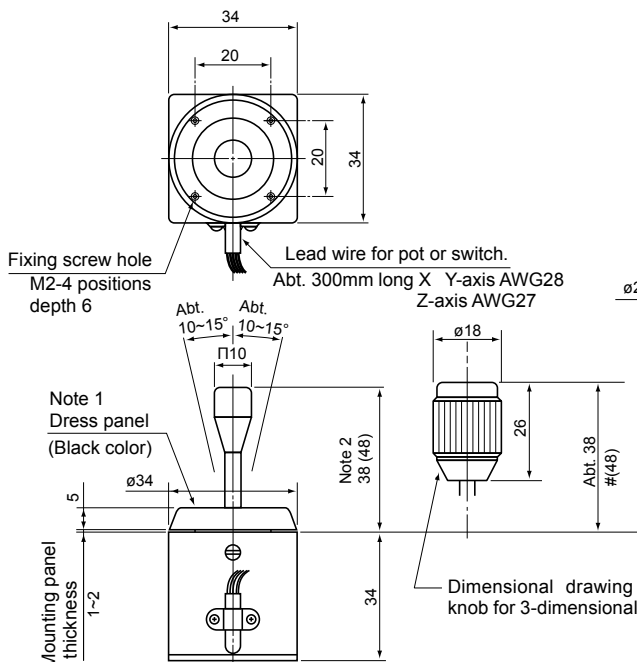
Switch incorporate type

■ Nomenclature

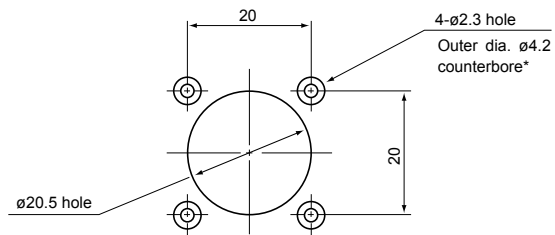


Number of potentiometers to be incorporated .
0 no potentiometer incorporated.
Number of switches to be incorporated.
1 switch incorporated. **2** switches incorporated. **3** switches incorporated.
4 switches incorporated. **5** switches incorporated. **6** switches incorporated.
With spring return device : **R1:** with spring return device for 1-dimensional coordinate.
R2: with spring return device for 2-dimensional coordinate.
R3: with spring return device for 3-dimensional coordinate.
Mounting accessories : **G:** with dust proof rubber cover. **P:** with sub-panel for mounting.
Special part number :
 In case we produce customized products, we add 4-digit branch number.

■ Standard Dimensions



■ Panel Arrangements



Note: 1) In case JC with a dust-proof rubber cover, the counterbore-work (*part) is not necessary.
 2) 4 pcs. of mounting screw (M2 X 6) are attached.

Note: In case JC with a dust-proof rubber cover, the shape of dress panel shall be changed.
 #Numerical in parentheses shows dimensions of Dust-proof rubber cover.

(Unit : mm)

■ Standard Specifications

Model 30JE Series (Switch inside-incorporated type)

Mechanical Performance

Controlling range of operating lever :

X and Y directions: Approx. $\pm 10^\circ \sim \pm 15^\circ$ from center position.

Z direction: Approx. $\pm 30^\circ \sim \pm 35^\circ$ from center position.

Operating force (Standard spring return device): Automatically return to center

X and Y directions : Approx. 0.8~2N (80~200gf)

Z direction: Approx. 15~60mN·m (150~600gf·cm)

Operating temperature range: $-20^\circ\text{C} \sim +65^\circ\text{C}$

Vibration : 10~55Hz 98m/s²

Shock : 294m/s²

Life expectancy : Approx. 1,000,000 operations.

Mass : 2-dimensional coordinate type : Approx. 80g

3-dimensional coordinate type : Approx. 100g

Electrical Performance

Switches used : Rating 24V.D.C.,

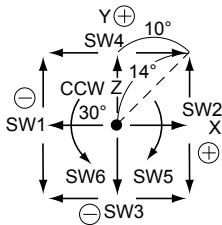
50mA (Resistance load)

[In case of 3-dimensional coordinate and Z-axis switch-inside-knob incorporated type U, the ratings are 24V.D.C., 100mA.]

Dielectric strength : 1 minute at 500V.A.C.

Insulation resistance : Over 100M Ω at 250V.D.C.

Terminal Connection Diagram



Switches of each axis will be "on" at both end of each axis.

Note 1) Terminals shall be lead-wire terminals with approx. 300mm long. (AWG28) 2)

Colors of micro-switch connection leads are shown in parenthesis.

(For X-axis) SW1 (green 2 leads): ON up to – directional end from center position

SW2 (white 2 leads): ON up to + directional end from center position

(For Y-axis) SW3 (yellow 2 leads): ON up to – directional end from center position

SW4 (red 2 leads): ON up to + directional end from center position

(For Z-axis) SW5 (orange 2 leads): ON up to CW directional end from center position

SW6 (gray 2 leads): ON up to CCW directional end from center position



30JEK-YQ-04R2
(Standard)

(2-dimensional coordinate type)



30JEK-ZU-06R3
(Standard)

(3-dimensional coordinate type)

ALTHERIS bv

Scheveningseweg 15
2517 KS DEN HAAG
The Netherlands

+31 (0)70 3924421

+31 (0)70 3644249

Offices in : Benelux | Germany | France | UK | Italy | USA

www.altheris.com

sales@altheris.nl

LEADERS IN SENSORS & HEAVY DUTY JOYSTICKS

ALTHERIS
SENSORS & CONTROLS