

Standard Specifications

Model 40JE Series (Switch inside-incorporated type)

Mechanical Performance

Controlling range of operating lever :

2-dimensional coordinate type : 360° and square-directionally approx. $\pm 20^\circ \sim \pm 25^\circ$ operation from center position.

Operating Force : Standard spring return device : Automatically return to center : Approx. 1.6~ 3N (160~ 300gf)

Operating temperature range : - 20° C~+ 65° C

Vibration : 10~ 55Hz 98m/s²

Shock : 294m/s²

Life expectancy : Approx. 5,000,000 operations.

Mass : Approx. 180g

Electrical Performance

Switches used : Rating 12V.D.C. below 1mA

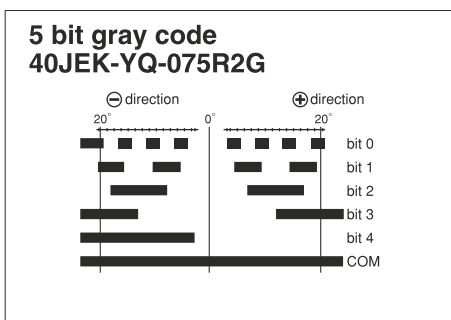
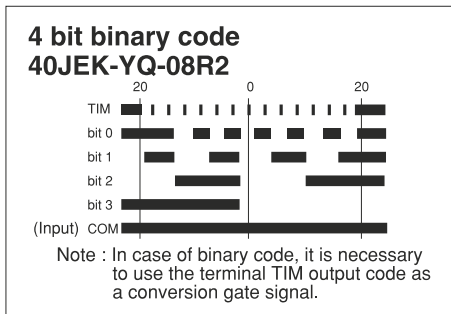
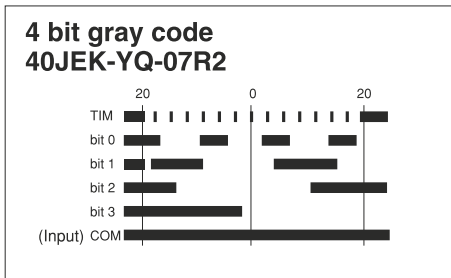
Contact resistance : Below 300mΩ

Dielectric strength : 1 minute at 500V.A.C.

Insulation resistance : Over 100M Ω at 250 V.D.C.

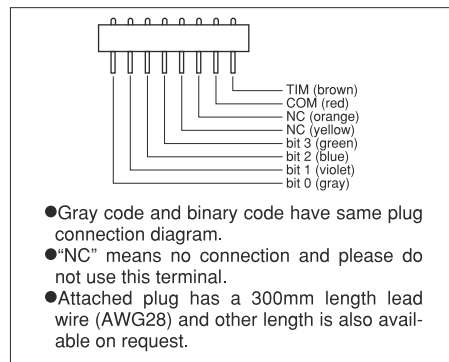
Pattern of Digital Code Switch

When ordering, please specify on which you require gray code or binary code.

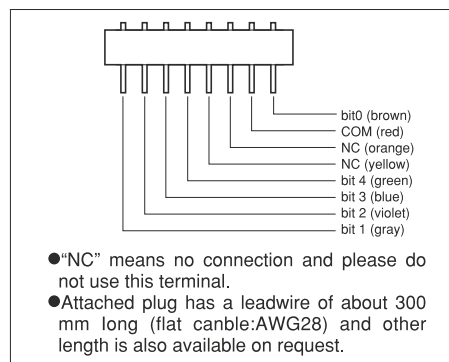


Plug Connection Diagram

For 4 bit



For 5 bit



40JEK-YQ-07R2 (4 bit gray code)
40JEK-YQ-08R2 (4 bit binary code)
40JEK-YQ-075R2 (5 bit gray code)
(Standard)
(2-dimensional coordinate type)



40JEK-YQ-07R2G (4 bit gray code)
40JEK-YQ-08R2G (4 bit binary code)
40JEK-YQ-075R2G (5 bit gray code)
(2-dimensional coordinate type)
with dust-proof rubber cover)

Special Specifications Available

Please see page 47, a table of “Standard and Special Specifications Available”.

ALTHERIS bv

Scheveningseweg 15
2517 KS DEN HAAG
The Netherlands

+31 (0)70 3924421

+31 (0)70 3644249

Offices in : Benelux | Germany | France | UK | Italy | USA

www.althervis.com

sales@althervis.nl

LEADERS IN SENSORS & HEAVY DUTY JOYSTICKS

ALTHERIS
SENSORS & CONTROLS