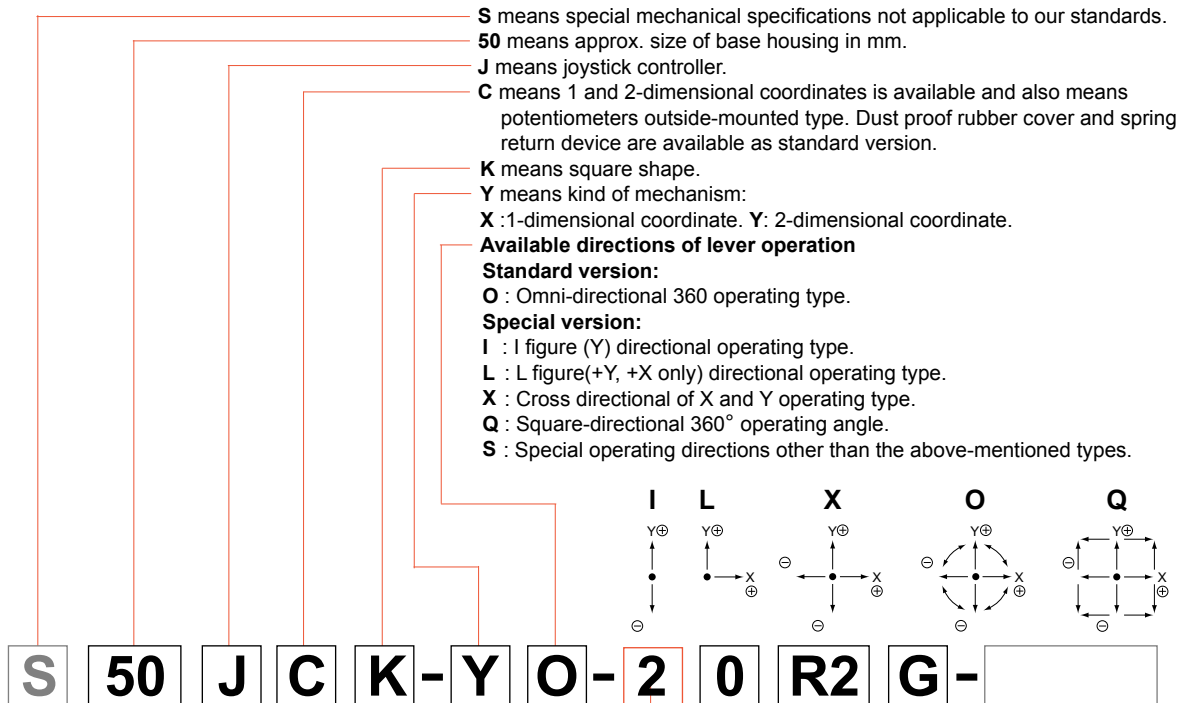




Model 50JC (Potentiometer outside-mounted type)

Potentiometer with a conductive plastic resistive element

Nomenclature



Number of potentiometers to be mounted.

- 0 no potentiometer mounted. 2 potentiometers mounted.
- 1 potentiometer mounted. 3 potentiometers mounted.

Number of switches to be mounted.

- 0 no switch mounted. 4 switches mounted.
- 1 switch mounted. 5 switches mounted.
- 2 switches mounted. 6 and over 6 switches mounted.
- 3 switches mounted. 9 other switches to your special request.

With spring return device : (50JC standard)

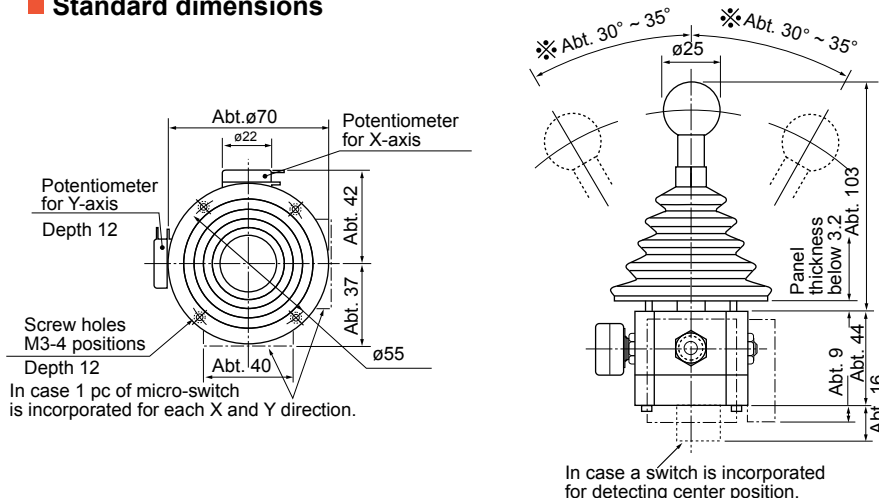
- R1** : with spring return device for 1-dimensional coordinate.
- R2** : with spring return device for 2-dimensional coordinate.

Mounting accessories : **G** : with dust proof rubber cover.(50JC standard) **P** : with sub-panel for mounting.

Special part number :

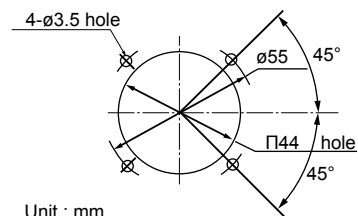
In case we produce customized product, we add 4-digit branch number.

Standard dimensions



Panel Arrangements

In case of 1 and 2-dimensional coordinates



■ Standard Specifications

Mechanical Performance

Controlling range of operating lever :

- 2-dimensional coordinate type : Omni-directionally approx. $\pm 30^\circ \sim \pm 35^\circ$ operation from center position. **Operating force :**

Standard spring return device : Automatically return to center (omni-directional type)
Approx. 3~15N (300~ 1,500gf.)

Operating temperature range: -20°C~ + 65°C

Vibration : 10~55Hz 98m/s²

Shock : 294m/s²

Life expectancy : Approx. 5,000,000 operations.

Mass : Approx. 350g

Electrical Performance

Potentiometers mounted : SF22E 10kΩ±15%, 0.2W, independent linearity tolerance±3% (conductive plastic resistive element). (Electrical rotating angle : Approx. 60°)

[All terminals can be fitted with the AMP110 series fasten receptacle (2.8 X 0.5mm) or equivalents.]

Output smoothness : Below 0.2% against input voltage.

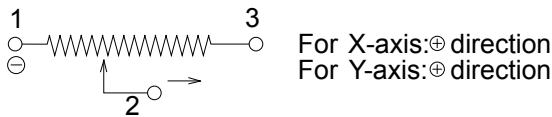
Contact resistance variation : Below 5% C.R.V.

Resolution : Essentially infinite

Dielectric strength : 1 minute at 500V.A.C.

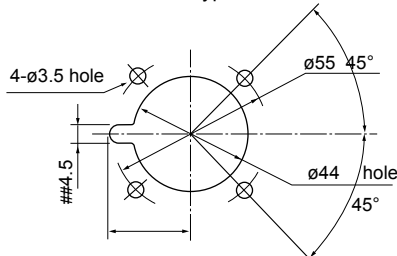
Insulation resistance : Over 1,000MΩ at 500V.D.C.

Terminal Connection Diagram



Panel Arrangements

in case of with knob type 102



1. In case of type Q, the angle of mark "##" becomes 360° square- direction and $\pm 20^\circ \sim \pm 25^\circ$ from center position.
2. In case of JC with knob type 102, if other components, except our standard pot model SF22E, are mounted, the position of mark "##" may be changed to other position.
3. 4 pcs. of mounting screw (M3 X 8) are attached.

(Unit : mm)



50JCK-YO-20R2G
(Standard)
(2-dimensional coordinate type)



S50JCK-YO-25R2G
(With 5 micro-switches and 1 of them is for detecting the center position)

ALTHERIS bv

Scheveningseweg 15
2517 KS DEN HAAG
The Netherlands

☎ +31 (0)70 3924421

☎ +31 (0)70 3644249

Offices in : Benelux | Germany | France | UK | Italy | USA

🌐 www.altheris.com

✉ sales@altheris.nl

LEADERS IN SENSORS & HEAVY DUTY JOYSTICKS

ALTHERIS
SENSORS & CONTROLS