

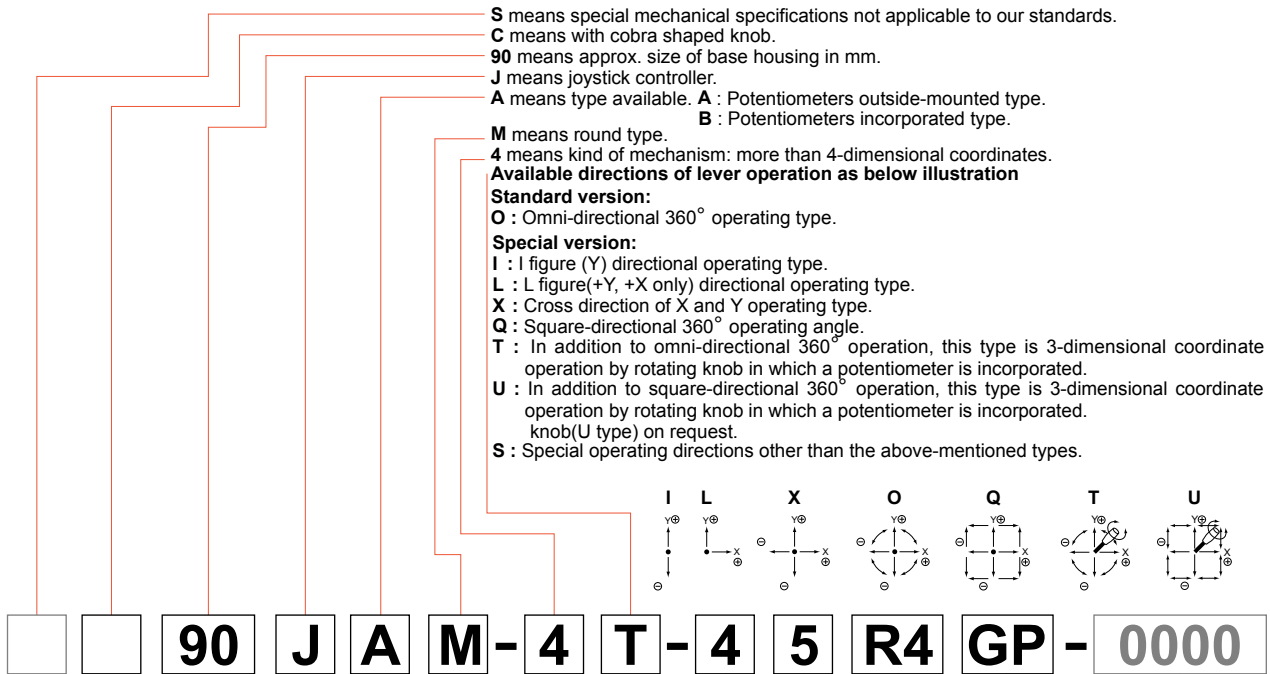


Model C90JAMC90JBM Potentiometer outside-mounted type C90JAM | Potentiometer incorporated type C90JBM

Potentiometer with a conductive plastic resistive element

For multi-functional control & with cobra head shaped knob

■ Nomenclature



Number of potentiometers to be incorporated.

- 4 potentiometers incorporated.
- 1 potentiometers incorporated.
- 2 potentiometers incorporated.
- 3 potentiometers incorporated.

Number of switches to be incorporated.

- 4 switches incorporated.
- 5 switches incorporated.
- 6 and over 6 switches incorporated.
- 9 other switches incorporated.

With spring return device :

- R4** : with spring return device for 2-dimensional coordinate as well as for see-saw pot.
- R1** : with spring return device for 1-dimensional coordinate.
- R2** : with spring return device for 2-dimensional coordinate.
- R3** : with spring return device for 3-dimensional coordinate.

Mounting accessories : **G**: with dust proof rubber cover. **P**:with sub-panel for mounting (C90TAM C90JBM standard)

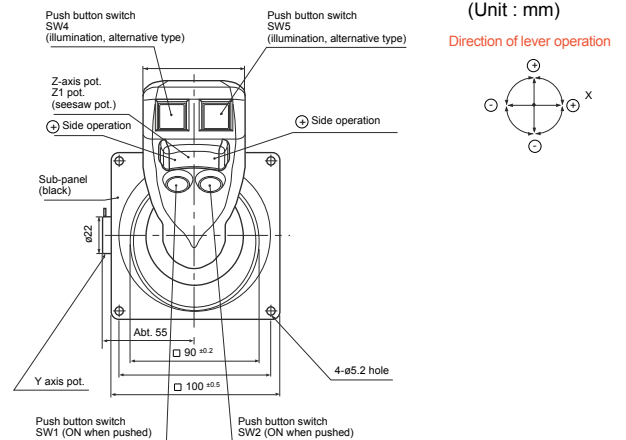
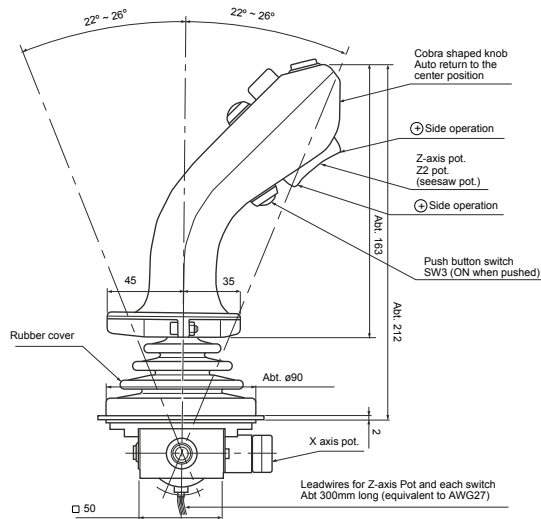
Special part number :

In case we produce customized product, we add 4-digit branch number.

Standard Dimensions

(in case of model C90JAM)

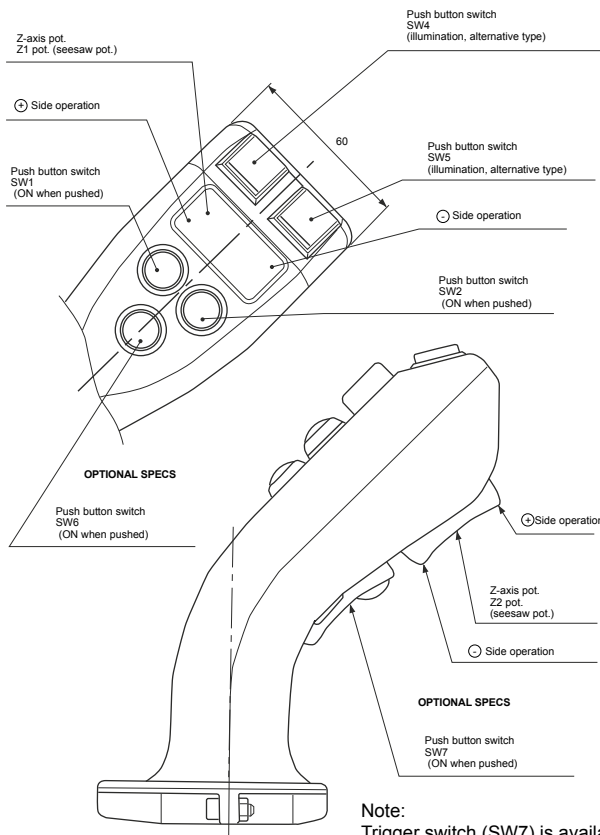
The dimensions on the knob part are the same for model C90JBM in common.



This unique cobra head shaped knob can offer you various and complex controls in wide range. Some push-buttons switches and seesaw type potentiometer, which enables such multi-functional operations, are available.

[Outer dimensions & Optional specs.
on cobra shaped knob]

Common dimensions for both model C90JAM and C90JBM



Note:
Trigger switch (SW7) is available,
Instead of push button switch (SW3)

(Unit : mm)



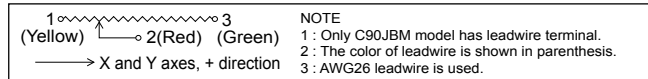
SC90JAM-4U-46R4GP

■ The specs. Of pot. And switches used

1: Specs. of X and Y axes pots..

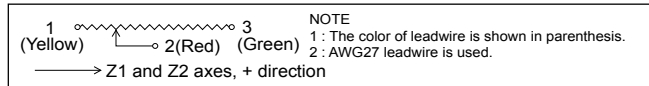
(C90JA type: SFCP22E outside mounted)
(C90JB type: Special resistance element is exclusively used for C90JB Series)

- 1) Total resistance value : 10kΩ±15%
- 2) Independent linearity : ±3%
- 3) Electrical rotating angle : 44°±5°
- 4) Center return accuracy : 50%±1.5%
- 5) Power rating : 0.2W
- 6) Life expectancy : Approx. 5,000,000 operations
- 7) Terminal connection diagram



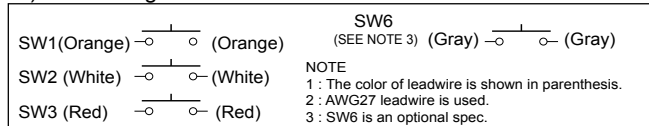
2: Specs. of Z1 and Z2 axes pots..

- 1) Model No. : RMP30AF (Rocker switch unit)
- 2) Total resistance value : 10kΩ±15%
- 3) Independent linearity : ±3%
- 4) Electrical rotating angle : 30°±5°
- 5) Center return accuracy : 50%±3%
- 6) Power rating : 0.1W
- 7) Life expectancy : Approx. 2,000,000 operations
- 8) Terminal connection diagram



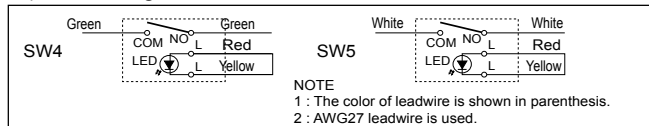
3: Specs. of push button switch (SW1, 2, 3 and 6)

- 1) Operating characteristics : Momentary type (ON when pushed)
- 2) Rating : 50VDC, 0.1A
- 3) Dielectric strength : 1 minute at 1,000V AC
- 4) Insulation resistance : Over 1,000MΩ at 500V DC
- 5) Life expectancy : Approx. 500,000 operations
- 6) Circuit diagram



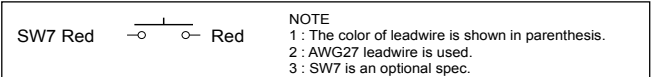
4: Specs. of illumination push button switch(SW4 & SW5)

- 1) Operating characteristics : Alternate type
- 2) Rating : 30VDC, 5A
- 3) Rating for illumination LED : 1.85VDC, 20mA
- 4) Dielectric strength : 1 minute at 1,000V AC
- 5) Insulation resistance : Over 200MΩ at 500V DC
- 6) Life expectancy : Approx. 10,000 operations
- 7) Circuit diagram



5: Specs. of trigger switch (SW7)

- 1) Operating characteristics : Momentary type
- 2) Rating : 30VDC, 100mA
- 3) Dielectric strength : 1 minute at 600V AC
- 4) Insulation resistance : Over 100MΩ at 500V DC
- 5) Life expectancy : Approx. 100,000 operations
- 6) Circuit diagram



6: Others

The mechanical performances on X and Y axes are the same as those of standard 90JA/90JB models respectively.

ALTHERIS bv

Scheveningseweg 15
2517 KS DEN HAAG
The Netherlands

+31 (0)70 3924421

+31 (0)70 3644249

Offices in : Benelux | Germany | France | UK | Italy | USA

www.altheris.com

sales@altheris.nl

LEADERS IN SENSORS & HEAVY DUTY JOYSTICKS

ALTHERIS
SENSORS & CONTROLS