



Model H50JA

Potentiometer with a hall effect IC type resistive element (Potentiometer outside mounted type)

Nomenclature

S means special mechanical specifications not applicable to our standard.

H means hall effect IC type potentiometer(HSM18E) incorporated type.

50 means approx. size of base housing in mm.

J means joystick controller.

Kind of types

A means 1- or 2- dimensional coordinate and also means hall effect IC type. potentiometers are mounted outside housing case.

K means square shape.

Mechanism

X means 1-dimensional coordinate.

Y means 2-dimensional coordinate.

Available directions of lever operation as below illustration

Standard version:

O: Omni-directional 360° operating type.

Special version:

I: I figure (Y) directional operating type.

L: L figure(+Y, +X only) directional operating type.

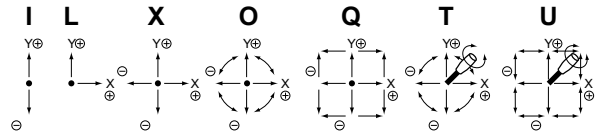
X: Cross direction(+ of X and Y) operating type.

Q: Square-directional 360° operating angle.

T: In addition to 360-omni-directional operation, 3-dimensional coordinate operation is possible by rotating knob in which a potentiometer is incorporated.

U: In addition to "Q operation", 3-dimensional coordinate operation is possible by rotating knob in which a potentiometer is incorporated.

S: Special directions of lever operation other than above mentioned types.



S **H** **50** **J** **A** **K** - **Y** **O** - **2** **0** **R2** **G** - **0000**

Number of potentiometers to be incorporated

0 no potentiometer incorporated. **1** potentiometer incorporated.

2 potentiometers incorporated.

Number of switches to be incorporated

0 no switch incorporated. **1** switch incorporated. **2** switches incorporated.

3 switches incorporated. **4** switches incorporated.

5 switches incorporated. **6** and over 6 switches incorporated.

9 Other switches to your special request.

With spring return device:

R1: with spring return device for 1-dimensional coordinate.

R2: with spring return device for 2-dimensional coordinate.

Mounting accessories:

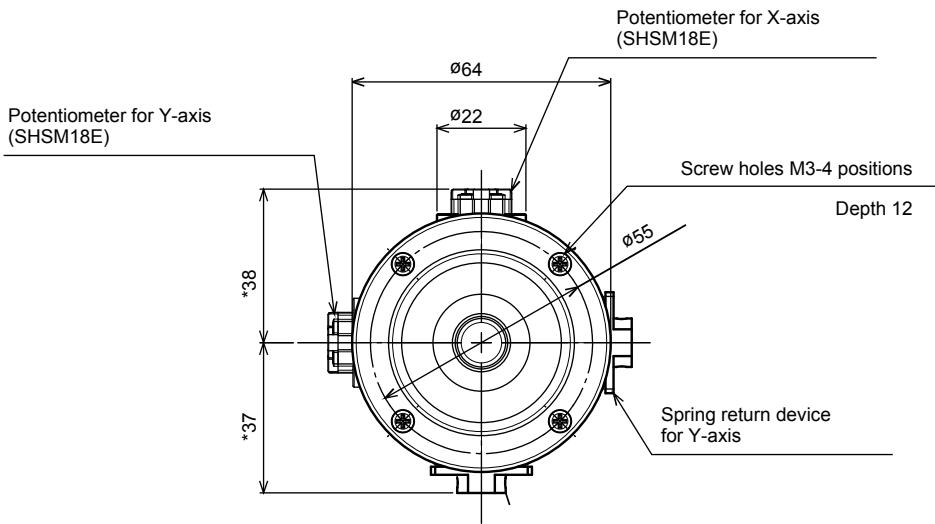
G: with dust proof rubber cover.

P: with sub-panel for mounting.

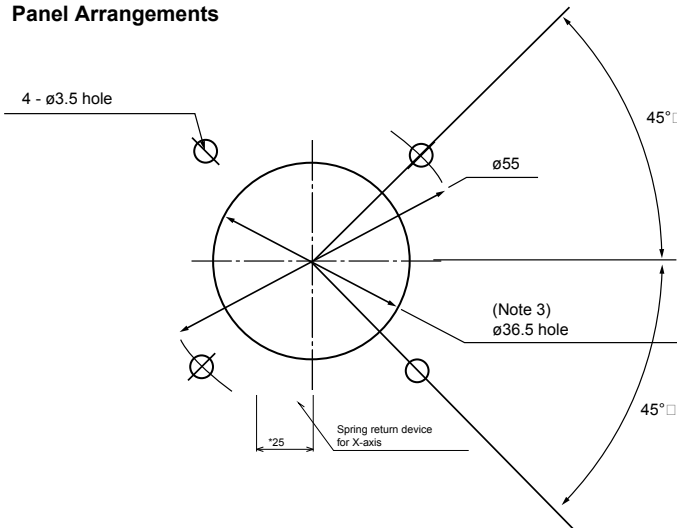
Special part number:

In case we produce customized product, we add 4-digit branch number.

■ Standard dimensions



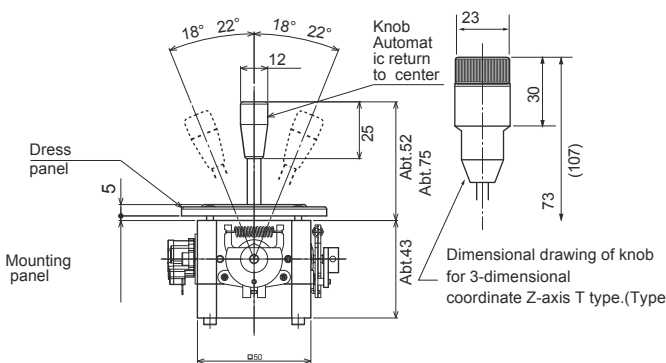
Panel Arrangements



Note: In case of a dust-proof rubber cover is mounted, it is $\phi 44$ hole.

- Note: 1. In case a dust-proof rubber cover is mounted, the shape of dress panel shall change. * numeral in parentheses shows that of with a dust-proof cover.
 2. 4 pcs of mounting screws (M3X14) are attached.

(Unit : mm)



ALTHERIS bv

Scheveningseweg 15
 2517 KS DEN HAAG
 The Netherlands

+31 (0)70 3924421

+31 (0)70 3644249

Offices in : Benelux | Germany | France | UK | Italy | USA

www.altheris.com

sales@altheris.nl

LEADERS IN SENSORS & HEAVY DUTY JOYSTICKS

