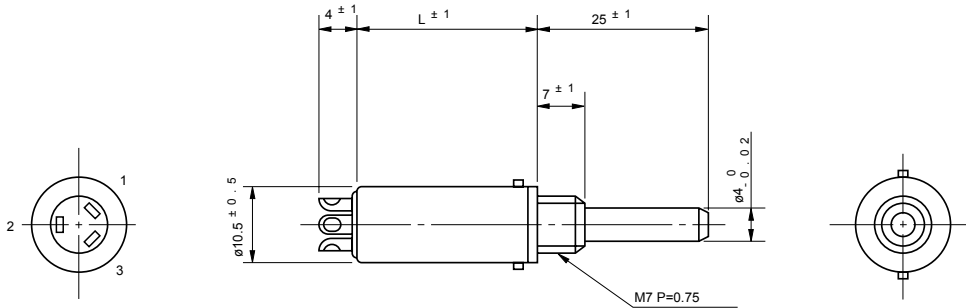




# Model 10HP

## Wirewound (Bushingmount)

### Standard dimensions



**Model 10HP-10**  
World's smallest 10-turn pot.

Model No.	L
10HP-5	19.2
10HP-10	25.5

Note: 1 pc. inner teeth washer and 2 pcs. hex nuts are attached

### Standard Model Nos.

10HP-5 (5-turn)  
 10HP-10 (10-turn)

### General Specifications

#### Standard Resistance Range:

100Ω to 20kΩ (5-turn)  
 100Ω to 20kΩ (10-turn)

#### Max. Practical Resistance Value:

50kΩ (5-turn)  
 100kΩ (10-turn)

#### Total Resistance Tolerance:

Standard Class ±3%(H)  
 Precision Class ±1%(F)

#### Independent Linearity Tolerance:

	5-turn	10-turn
Standard Class	±0.35%	±0.25%
Precision Class	±0.2%	±0.1%
(within 5kΩ)	(±0.25%)	(±0.15%)

#### Power Rating:

0.5W (5-turn)  
 1.0W (10-turn)

#### Noise:

Within 100Ω E.N.R.

#### Electrical Travel:

360° Xn ±5° (n: No. of turns)

#### Mechanical Travel:

360° Xn <sup>+30°</sup>/<sub>0°</sub> (n: No. of turns)

#### Insulation Resistance:

Over 100 MΩ at 500 V.D.C.

#### Dielectric Strength:

1 minute at 500 V.A.C.

#### Starting Torque:

Within 3mN·m (30gf·cm)

#### Stopper Strength:

Approx. 0.1N·m (1kgf·cm)

#### Max. Torque exerted on fastening the mounting nut to the bushing:

Within 1N·m (10kgf·cm)

#### Max. Working Voltage:

450 V

#### Resist. Temperature

±20p.p.m./°C

#### Coefficient of Wire:

Approx. 17g (5-turn)

#### Mass:

Approx. 20g (10-turn)

■ **Standard Resistance Values | No. Of Wire Turns | Resistance Wire Used**

Resist. Value (Ω)	100	200	500	1k	2k	5k	10k	20k	50k	100k
10HP-5	7 5 0	6 2 0	8 3 0	1, 0 5 0	1, 3 3 0	1, 8 2 0	2, 3 0 0	2, 9 4 0	※3, 9 0 0	
10HP-10	1, 2 0 0	1, 5 0 0	1, 3 5 0	1, 6 7 0	2, 1 0 0	2, 8 6 0	3, 6 4 0	4, 5 5 0	6, 2 5 0	※7, 8 5 0
Resist. Wire Used	Cu-Ni System			Ni-Cr System						

Note: Mark # shows value at special higher practical resistance

■ **Special Specifications Available**

3-turn type (S10HP-3), lower resistance values (20Ω, 50Ω), shaft dia. (ø3.175mm) · bushing with inch dimensions, special machining on the shaft, shaft with front and rear extension (rear shaft with 0.8mm dia. and 10mm length).

**ALTHERIS bv**

Scheveningseweg 15  
2517 KS DEN HAAG  
The Netherlands

+31 (0)70 3924421

+31 (0)70 3644249

Offices in : Benelux | Germany | France | UK | Italy | USA

www.altheris.com

sales@altheris.nl

LEADERS IN SENSORS & HEAVY DUTY JOYSTICKS

**ALTHERIS**  
SENSORS & CONTROLS