

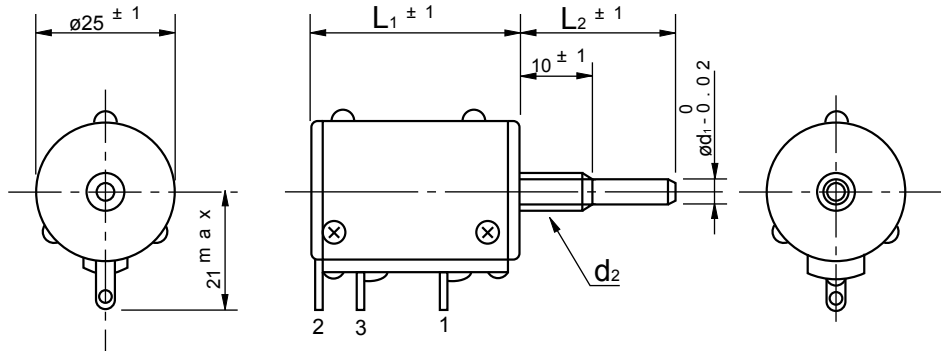


# Model 25HP

## Wirewound (Bushingmount Servomount)

### Standard dimensions

#### Bushingmount type

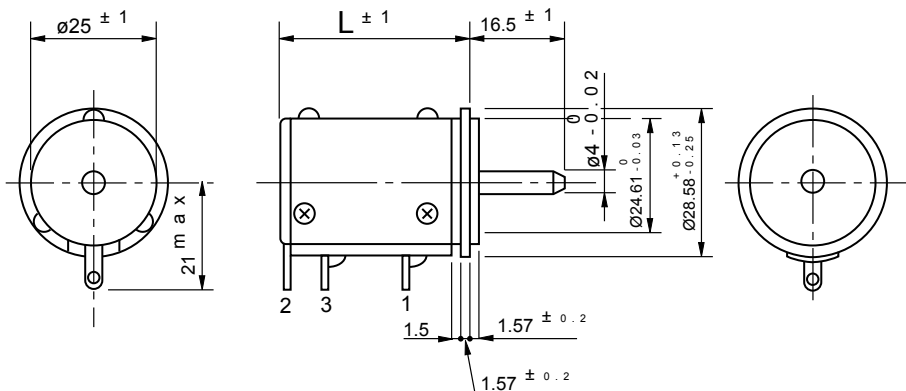


Model no	L1
25HP-5	29
25HP-10	37.5

Shaft Designation	Shaft Dimensions		Mounting Screw
	d1	L2	d2
B	$\phi 4$	2.5	M7 P=0.75
C	$\phi 6$	2.8	M9 P=0.75
D	$\phi 6$	18.5	M9 P=0.75
E	$\phi 6$	2.5	M9 P=0.75

- Note: 1. Unless otherwise specified our standard shaft designation is B.  
 2. 1 pc. Inner teeth washer and 2 pcs. Hex nuts are attached

#### Servomount type



Model No	L
25HPS-5	30.5
25HPS-10	39

### Standard Model Nos.

Bushingmount type:

25HP-5 (B~E) (5-turn)

25HP-10 (B~E) (10-turn)

Note: Our standard shaft designation is B.

Unless otherwise specified

Servomount type:

25HPS-5 (5-turn)

25HPS-10 (10-turn)

## ■ General Specifications

### Standard Resistance

**Range:** 100Ω to 50kΩ (5-turn)  
100Ω to 100kΩ (10-turn)

**Max. Practical Resistance Value:** 100Ω (5-turn)  
200Ω (10-turn)

**Total Resistance Tolerance:** Standard Class ±3%(H)  
Precision Class ±1%(F)

**Independent Linearity Tolerance:**

	5-turn	10-turn
Standard Class	±0.3%	±0.2%
Precision Class (within 5kΩ)	±0.2% (±0.25%)	±0.1% (±0.15%)

**Power Rating:** 1.5W (5-turn)  
2.0W (10-turn)

**Noise:** Within 100Ω E.N.R.

**Electrical Travel:** 360° Xn ±5° (n: No. of turns)

**Mechanical Travel:** 360° Xn <sup>+10°</sup><sub>0°</sub> (n: No. of turns)

**Insulation Resistance:** Over 100 MΩ at 1,000 V.D.C.

**Dielectric Strength:** 1 minute at 1,000 V.A.C.

**Starting Torque:** Within 8mN·m (80gf·cm)  
(Bushing mount)

Within 5mN·m (50gf·cm)  
(Servomount)

**Stopper Strength:** Approx. 0.9N·m (9kgf·cm)

**Max. Working**

**Voltage:** 900V

**Resist. Temperature Coefficient of Wire:** ±20p.p.m./°C

**Mass:** Approx. 50g (5-turn)  
Approx. 60g (10-turn)

## ■ Standard Resistance Values | No. Of Wire Turns | Resistance Wire Used

Resist. Value (Ω)	100	200	500	1k	2k	5k	10k	20k	50k	100k	200k
25HP-5	1,300	1,700	2,000	2,400	2,500	3,200	4,000	5,000	7,000	※8,800	-
25HP-10	2,000	2,600	3,100	4,000	4,800	5,000	6,500	8,000	10,000	14,000	※18,000
Resist. Wire used	Cu-Ni System					Ni-Cr System					

Note: Mark ※ shows value at special higher practical resistance

## ■ Special Specifications Available

Lower resistance (10Ω, 20Ω, 30Ω), 3-turn type (S25HP-3), 15-turn type (S25HP-15), 20-turn type (S25HP-20), extra taps (available up to 5 taps), multi-ganged (available up to 2 gangs), shaft with front and rear extension (rear shaft with 3mm dia. and 10mm length), shaft dia. (ø3.175mm, ø6.35mm) · bushing with inch dimensions, with a limit-switch adaptor, special machining on the shaft.

### ALThERIS bv

Scheveningseweg 15  
2517 KS DEN HAAG  
The Netherlands

☎ +31 (0)70 3924421

☎ +31 (0)70 3644249

Offices in : Benelux | Germany | France | UK | Italy | USA

🌐 www.altheris.com

✉ sales@altheris.nl

LEADERS IN SENSORS & HEAVY DUTY JOYSTICKS

**ALThERIS**  
SENSORS & CONTROLS