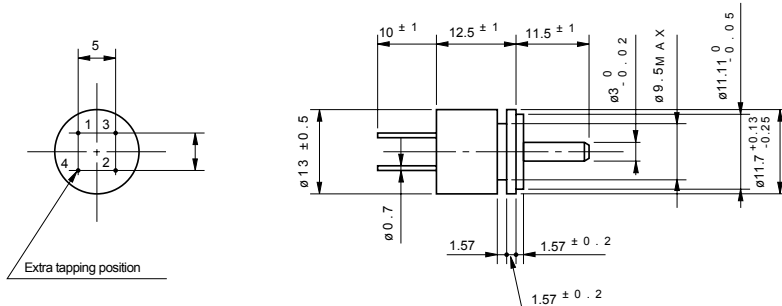




# FCP12A

## Conductive plastic (servomount)

### Standard dimensions



Model FCP12A

### General Specifications

#### Standard Resistance

**Values:** 1k, 2k, 5k, 10 k ( $\Omega$ )  
**Special Practical Resistance Values:** 500, 20k, 50k, 100k ( $\Omega$ )  
**Total Resistance Tolerance:** Standard Class  $\pm 15\%$  (L)  
 Precision Class  $\pm 10\%$  (K)

#### Independent

**Linearity Tolerance:** Standard Class  $\pm 2.0\%$   
 Precision Class  $\pm 1.0\%$   
**Resolution:** Essentially infinite  
**Output Smoothness:** Within 0.1% against input voltage

#### Contact Resistance

**Variation:** Within 3% C.R.V.  
**Power Rating:** 0.2W  
**Electrical Travel:**  $300^\circ \pm 5^\circ$   
**Mechanical Travel:**  $360^\circ$  (Endless)  
**Insulation Resistance:** Over 1,000M $\Omega$  at 500 V.D.C.  
**Dielectric Strength:** 1 minute at 500 V.A.C.  
**Starting Torque:** Within 1mN·m (10gf·cm)  
**Resistance Temperature Coefficient:**  $\pm 400$ p.p.m./ $^\circ$ C  
**Mass:** Approx. 5g

### Special Specifications Available

Extra taps (available up to 1 tap), shaft with front and rear extension (rear shaft with 1mm dia. and 10mm length), with stopper (rotating angle becomes  $310^\circ$  and stopper strength is 0.3N·m [3kgf·cm]), special electrical travel, shaft dia. ( $\phi 3.175$ mm) bushing with inch dimensions, special machining on the shaft.

LEADERS IN SENSORS & HEAVY DUTY JOYSTICKS

#### ALTHERIS bv

Scheveningseweg 15  
 2517 KS DEN HAAG  
 The Netherlands

+31 (0)70 3924421

+31 (0)70 3644249

Offices in : Benelux | Germany | France | UK | Italy | USA

www.altheris.com

sales@altheris.nl

**ALTHERIS**  
 SENSORS & CONTROLS