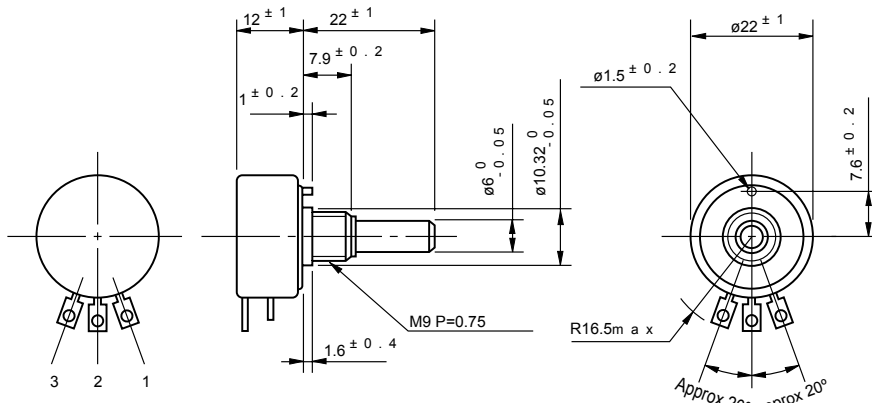




# FCP22E

## Conductive plastic (Busingmount) Low cost item

### Standard dimensions



**Model FCP22E  
(Plastic Housing)**

- Note: 1. 1pc. Each inner teeth washer and hex nut are attached.  
 2. Please process the mounting hole on the panel to be mounted with this potentiometer by the diameter of  $10.32\text{mm}^{+0.05}_0$

### General Specifications

#### Standard Resistance

**Values:** 1k, 2k, 5k, 10k ( $\Omega$ )  
**Special Practical Resistance Values:** 500, 20k, 50k, 100k ( $\Omega$ )  
**Total Resistance Tolerance:** Standard Class  $\pm 15\%$  (L)  
 Precision Class  $\pm 10\%$  (K)

#### Independent

**Linearity Tolerance:** Standard Class  $\pm 1.5\%$   
 Precision Class  $\pm 1.0\%$

**Resolution:** Essentially infinite

**Output Smoothness:** Within 0.1% against input voltage

#### Contact Resistance

**Variation:** Within 2% C.R.V.  
**Power Rating:** 1.0.W  
**Electrical Travel:**  $320^\circ \pm 5^\circ$   
**Mechanical Travel:**  $360^\circ$  (Endless)  
**Insulation Resistance:** Over 1,000M $\Omega$  at 500 V.D.C  
**Dielectric Strength:** 1 minute at 500 V.A.C.  
**Starting Torque:** Within 5mN·m (50gf·cm)  
**Resistance Temperature Coefficient:**  $\pm 400\text{p.p.m./}^\circ\text{C}$   
**Mass:** Approx. 20g

### Special Specifications Available

Extra taps (available up to 1 tap). Rear shaft (6mm dia. and 20mm length), Multi-ganged (available up to 10 gangs), Stopper (rotating angle becomes  $320^\circ$  and stopper strength is 0.6N·m [6kgf·cm]), Special electrical travel, Inch dimensional shaft dia. ( $\phi 6.35\text{mm}$ ) · Bushing with inch dimensions, Special machining on the shaft.

#### ALTHERIS bv

Scheveningseweg 15  
 2517 KS DEN HAAG  
 The Netherlands

+31 (0)70 3924421

+31 (0)70 3644249

Offices in : Benelux | Germany | France | UK | Italy | USA

www.altheris.com

sales@altheris.nl

LEADERS IN SENSORS & HEAVY DUTY JOYSTICKS

**ALTHERIS**  
 SENSORS & CONTROLS