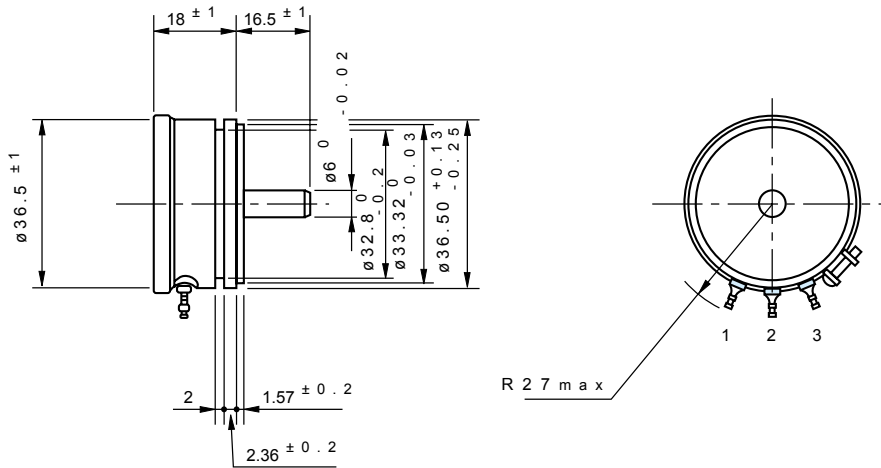




# FCP40A

## Conductive plastic (Servomount)

### Standard dimensions



Model FCP40A

### General Specifications

#### Standard Resistance

<b>Values:</b>	1k, 2k, 5k, 10 k (Ω)	
<b>Special Practical Resistance Values:</b>	500, 20k, 50k, 100k, 200k (Ω)	
<b>Total Resistance Tolerance:</b>	Standard Class ±10% (K)	
<b>Independent Linearity Tolerance:</b>	Standard Class	±0.5%
	Precision Class	±0.25%
	Super precision Class	±0.1%

**Resolution:** Essentially infinite  
**Output Smoothness:** Within 0.1% against input voltage

#### Contact Resistance

<b>Variation:</b>	Within 2% C.R.V.
<b>Power Rating:</b>	2.0W
<b>Electrical Travel:</b>	340° ±5°
<b>Mechanical Travel:</b>	360° (Endless)
<b>Insulation Resistance:</b>	Over 1,000MΩ at 1,000 V.D.C
<b>Dielectric Strength:</b>	1 minute at 1,000 V.A.C.
<b>Starting Torque:</b>	Within 3mN·m (30gf·cm)
<b>Resistance Temperature Coefficient:</b>	±400p.p.m./°C
<b>Mass:</b>	Approx. 60g

### Special Specifications Available

Extra taps (available up to 3 taps), multi-ganged (available up to 7 gangs, housing length is extended by 12mm per 1 gang), shaft with front and rear extension (rear shaft with 6mm dia. and 15mm length), with stopper (rotating angle becomes 320° and stopper strength is 0.9N·m [9kgf·cm]), special electrical travel, shaft dia. (∅6.35mm) with inch dimensions, special machining on the shaft.

LEADERS IN SENSORS & HEAVY DUTY JOYSTICKS

#### ALTHERIS bv

Scheveningseweg 15  
 2517 KS DEN HAAG  
 The Netherlands

+31 (0)70 3924421

+31 (0)70 3644249

Offices in : Benelux | Germany | France | UK | Italy | USA

www.altheris.com

sales@altheris.nl

**ALTHERIS**  
 SENSORS & CONTROLS