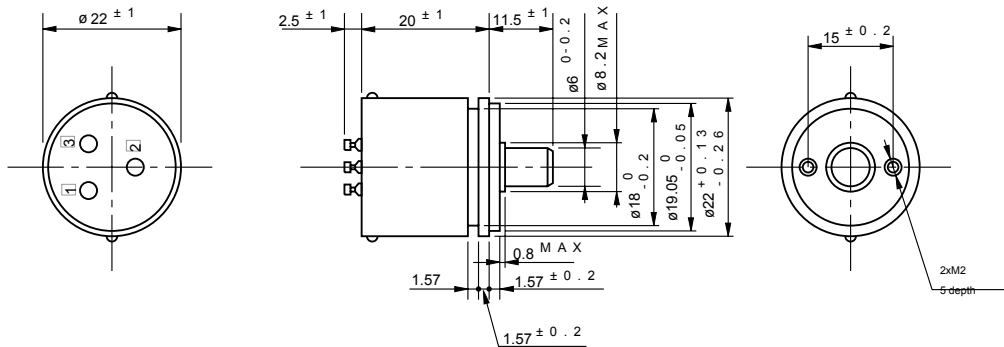




FCPS22AC

Conductive plastic (Servomount oilless metal bearings incorporated) Low cost item

Standard dimensions



Model FCPS22AC

General Specifications

Standard Resistance

Values:	1k, 2k, 5k, 10 k (Ω)
Special Practical Resistance Values:	500, 20k, 50k, 100k (Ω)
Total Resistance Tolerance:	Standard Class $\pm 15\%$ (L) Precision Class $\pm 10\%$ (K)

Independent

Linearity Tolerance:	Standard Class $\pm 1.0\%$ Precision Class $\pm 0.5\%$
Resolution:	Essentially infinite
Output Smoothness:	Within 0.1% against input voltage

Contact Resistance

Variation:	Within 2% C.R.V.
Power Rating:	1.0W
Electrical Travel:	$320^\circ \pm 5^\circ$
Mechanical Travel:	360° (Endless)
Insulation Resistance:	Over 1,000M Ω at 500 V.D.C
Dielectric Strength:	1 minute at 500 V.A.C.
Starting Torque:	Within 5mN·m (50gf·cm)
Resistance Temperature Coefficient:	$\pm 400 \text{ p.p.m./}^\circ\text{C}$
Mass:	Approx. 30g

Special Specifications Available

Extra taps (available up to 1 tap), shaft with front and rear extension (rear shaft with 3mm dia. and 20mm length), with stopper (rotating angle becomes 320° and stopper strength is 0.9N·m [9kgf·cm]), special electrical travel, shaft dia. ($\phi 6.35\text{mm}$), special machining on the shaft, with ball bearings incorporated.

LEADERS IN SENSORS & HEAVY DUTY JOYSTICKS

ALTHERIS bv

Scheveningseweg 15
 2517 KS DEN HAAG
 The Netherlands

+31 (0)70 3924421

+31 (0)70 3644249

Offices in : Benelux | Germany | France | UK | Italy | USA

www.altheris.com

sales@altheris.nl

