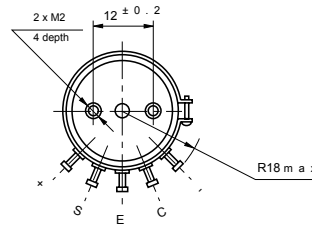
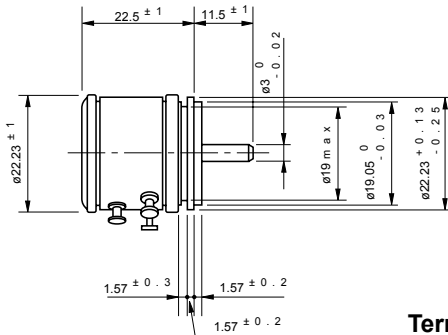




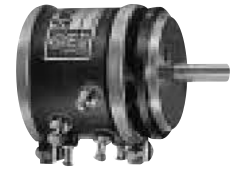
Model FSCB22A

Conductive Plastic (Servomount)

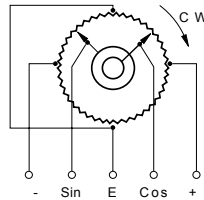
Standard dimensions



Terminal Connection Diagram



Model FSCB22A



General Specifications

Standard Resistance Values:	1k, 2k, 5k, 10k (Ω)
Special Practical Resistance Values:	500, 20k, 50k (Ω)
Total Resistance Tolerance:	Standard Class ±15% (L) Precision Class ±10% (K)
Conformity Tolerance:	Standard Class ±2.0%
(Peak-Peak) Resolution:	Precision Class ±1.0%
Output Smoothness:	Essentially infinite
Contact Resistance Variation:	Within 0.1% against input voltage
	Within 8% C.R.V.

Power Rating:	0.5W
Electrical Travel:	360° (Endless)
Mechanical Travel:	360° (Endless)
Insulation Resistance:	Over 1,000MΩ at 500 V.D.C.
Dielectric Strength:	1 minute at 500 V.A.C.
Starting Torque:	Within 3mN-m (30gf-cm)
Max. Working Voltage:	250V
Resist. Temperature Coefficient:	±400p.p.m./°C
Mass:	Approx. 20g

Standard Specifications Available

Multi-ganged (available up to 8 gangs. Housing length is extended by 16mm per 1 gang), shaft with front and rear extension (rear shaft with 3mm dia. and 10mm length), shaft dia. (ø3.175mm) with inch dimensions, special machining on the shaft, oil-filled type.

LEADERS IN SENSORS & HEAVY DUTY JOYSTICKS

ALTHERIS bv

Scheveningseweg 15
 2517 KS DEN HAAG
 The Netherlands

+31 (0)70 3924421

+31 (0)70 3644249

Offices in : Benelux | Germany | France | UK | Italy | USA

www.altheris.com

sales@altheris.nl

