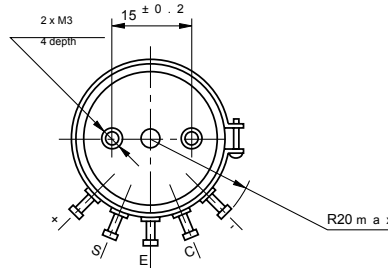
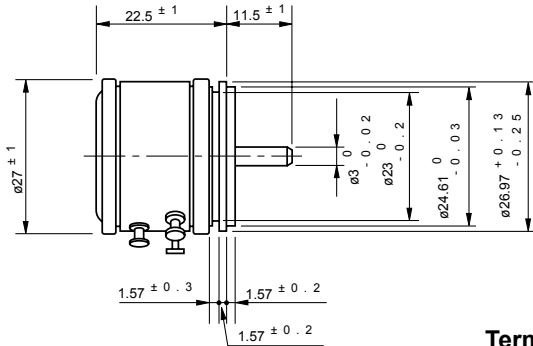




Model FSCB30A

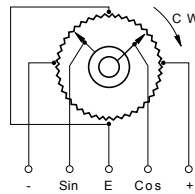
Conductive Plastic (Servomount)

Standard dimensions



Model FSCB30A

Terminal Connection Diagram



General Specifications

Standard Resistance

Values: 1k, 2k, 5k, 10k (Ω)

Special Practical

Resistance Values: 500, 20k, 50k (Ω)

Total Resistance

Tolerance: Standard Class ±15% (L)
 Precision Class ±10% (K)

Conformity

Tolerance: Standard Class ±1.0%
 Precision Class ±0.7%

Resolution: Essentially infinite

Output Smoothness: Within 0.1% against input voltage

Contact Resistance

Variation: Within 8% C.R.V.

Power Rating: 0.75W

Electrical Travel: 360° (Endless)

Mechanical Travel: 360° (Endless)

Insulation Resistance: Over 1,000MΩ at 500 V.D.C.

Dielectric Strength: 1 minute at 500 V.A.C.

Starting Torque: Within 3mN·m (30gf·cm)

Max. Working Voltage: 250V

Resist. Temperature Coefficient: ±400p.p.m./°C

Mass: Approx. 30g

Standard Specifications Available

Multi-ganged (available up to 3 gangs. Housing length is extended by 16mm per 1 gang), shaft with front and rear extension (rear shaft with 3mm dia. and 10mm length), shaft dia. (ø3.175mm) with inch dimensions, special machining on the shaft.

LEADERS IN SENSORS & HEAVY DUTY JOYSTICKS

ALThERIS bv

Scheveningseweg 15
 2517 KS DEN HAAG
 The Netherlands

+31 (0)70 3924421

+31 (0)70 3644249

Offices in : Benelux | Germany | France | UK | Italy | USA

www.altheris.com

sales@altheris.nl

ALThERIS
 SENSORS & CONTROLS