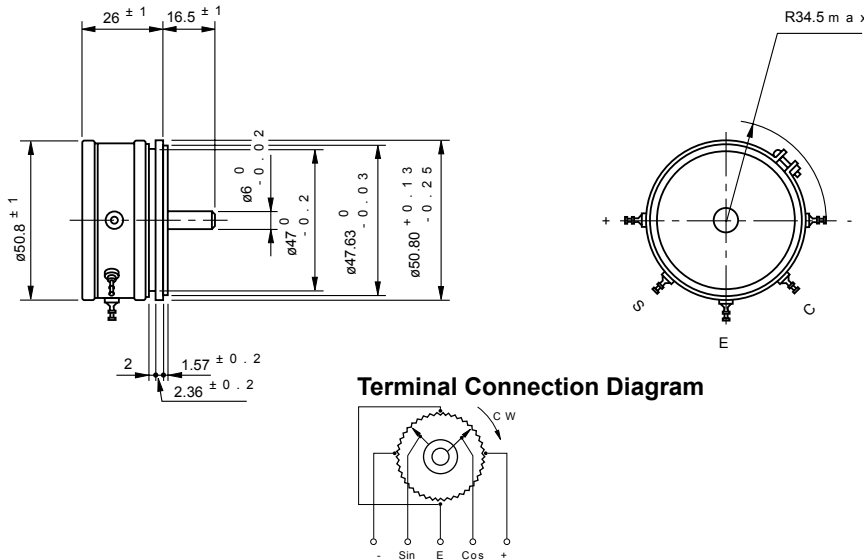




# Model FSCB50A

## Conductive Plastic (Servomount)

### Standard dimensions



Model FSCB50A

### General Specifications

#### Standard Resistance

Values: 1k, 2k, 5k, 10k (Ω)

#### Special Higher

#### Practical Resistance

Values: 20k, 50k, 100K (Ω)

#### Total Resistance

Tolerance: Standard Class ±15% (L)  
 Precision Class ±10% (K)

#### Conformity Tolerance:

(Peak-Peak) Standard Class ±0.5%  
 Precision Class ±0.3%  
 Super Precision Class ±0.2%

Resolution: Essentially infinite

**Output Smoothness:** Within 0.1% against input voltage

#### Contact Resistance

Variation: Within 8% C.R.V.

Power Rating: 1.25W

Electrical Travel: 360° (Endless)

Mechanical Travel: 360° (Endless)

Insulation Resistance: Over 1,000MΩ at 500 V.D.C.

Dielectric Strength: 1 minute at 1,000V.A.C.

Starting Torque: Within 5mN·m (50gf·cm)

Max. Working Voltage: 250V

#### Resist. Temperature

Coefficient: ±400p.p.m./°C

Mass: Approx. 120g

### Standard Specifications Available

Multi-ganged (available up to 3 gangs. Housing length is extended by 16mm per 1 gang), shaft with front and rear extension (rear shaft with 6mm dia. and 15mm length), bushingmount type, shaft dia. (ø6.35mm) with inch dimensions, special machining on the shaft, oil-filled type.

LEADERS IN SENSORS & HEAVY DUTY JOYSTICKS

#### ALTHERIS bv

Scheveningseweg 15  
 2517 KS DEN HAAG  
 The Netherlands

+31 (0)70 3924421

+31 (0)70 3644249

Offices in : Benelux | Germany | France | UK | Italy | USA

www.altheris.com

sales@altheris.nl

**ALTHERIS**  
 SENSORS & CONTROLS