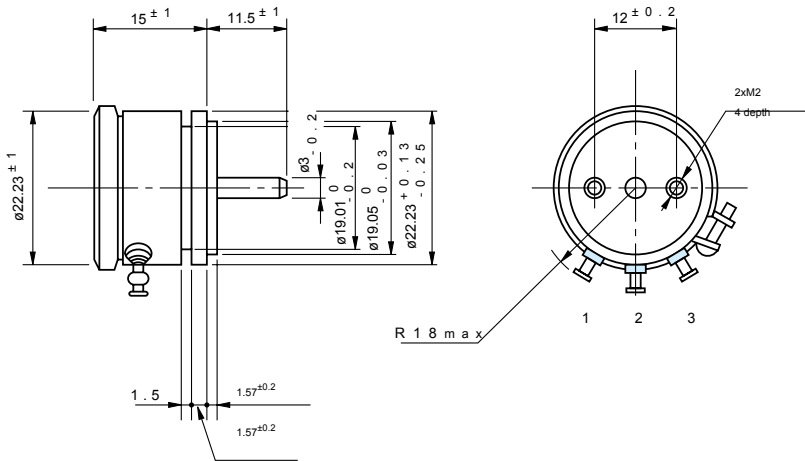




CP22

Wirewound (Servomount)

Standard dimensions



Model CP22

General Specifications

Standard

Resistance Range: 50Ω to 10kΩ
Max. Practical Resistance Value: 20kΩ
Total Resistance Tolerance: Standard Class ±3%(H)
 Precision Class ±1%(F)

Independent

Linearity Tolerance: Standard Class ±0.5%
 Precision Class ±0.2%
 (±0.3% in case of within 1kΩ)

Power Rating: 0.5W

Noise:

Within 100Ω E.N.R.

Electrical

355° ±5°

Mechanical Travel:

360° (Endless)

Insulation Resistance:

Over 1,000MΩ at 1,000 V.D.C

Dielectric Strength:

1 minute at 1,000 V.A.C.

Starting Torque:

Within 1.5mN·m (15gf·cm)

Resist. Temperature

Coefficient of Wire:

±20p.p.m./°C

Mass:

Approx. 15g

Standard Resistance Values | No. of Wire Turns | Resistance Wire Used

Resist. Value (Ω)	50	100	200	500	1k	2k	5k	10k	✳20k
No. Of wire turns	3 0 0	3 7 0	4 7 0	4 5 0	5 7 0	7 4 0	1, 0 0 0	1, 2 7 0	1, 6 7 0
Resist. Wire used	Cu-Ni System				Ni-Cr System				

Note: Mark # shows value at special higher practical resistance

Special Specifications Available

Lower resistance values (10Ω, 20Ω), extra taps (available up to 2 taps), multi-ganged (available up to 5 gangs. Housing length is extended by 8.5mm per gang), shaft with front and rear extension (rear shaft with 3mm dia. and 10mm length), with stopper (rotating angle becomes 330° and stopper strength is 0.3N·m [3kgf·cm]), special electrical travel, shaft dia. (ø3.175mm) with inch dimensions, special machining on the shaft.

LEADERS IN SENSORS & HEAVY DUTY JOYSTICKS

ALTHERIS bv

Scheveningseweg 15
 2517 KS DEN HAAG
 The Netherlands

+31 (0)70 3924421

+31 (0)70 3644249

Offices in : Benelux | Germany | France | UK | Italy | USA

www.altheris.com

sales@altheris.nl

ALTHERIS
 SENSORS & CONTROLS