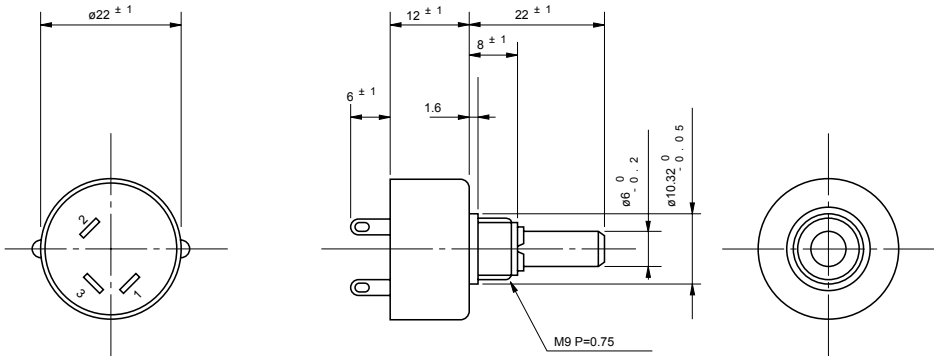




# CP22C

## Wirewound (Bushingmount) Low cost item

### Standard dimensions



**Model CP22C  
(Metal Housing)**

- Note:1. 1pc. Each inner teeth washer and hex nut are attached.  
 2. Please process the mounting hole on the panel to be mounted with this potentiometer by the diameter of 10.32mm

### General specifications

<b>Standard</b>		<b>Noise:</b>	Within 100Ω E.N.R.
<b>Resistance Range:</b>	50Ω to 10kΩ	<b>Electrical Travel:</b>	355° ±5°
<b>Max. Practical Resistance Value:</b>	20kΩ	<b>Mechanical Travel:</b>	360° (Endless)
<b>Total Resistance Tolerance:</b>	Standard Class ±3%(H) Precision Class ±1%(F)	<b>Insulation Resistance:</b>	Over 1,000MΩ at 1,000 V.D.C
<b>Independent</b>		<b>Dielectric Strength:</b>	1 minute at 1,000 V.A.C.
<b>Linearity Tolerance:</b>	Standard Class ±0.5% Precision Class ±0.25% (±0.35% in case of within 1kΩ)	<b>Starting Torque:</b>	Within 5mN·m (50gf·cm)
<b>Power Rating:</b>	0.5W	<b>Resist. Temperature Coefficient of Wire:</b>	±20p.p.m./°C
		<b>Mass:</b>	Approx. 30g

### Standard Resistance Values | No. of Wire Turns | Resistance Wire Used

Resist. Value (Ω)	50	100	200	500	1k	2k	5k	10k	※ 20k
No. Of wire turns	3 0 0	3 7 0	4 7 0	4 5 0	5 7 0	7 4 0	1 , 0 0 0	1 , 2 7 0	1 , 6 7 0
Resist. Wire used	Cu-Ni System				Ni-Cr System				

Note: Mark # shows value at special higher practical resistance

### Special Specifications Available

Lower resistance values (10Ω, 20Ω), extra taps (available up to 1 taps), shaft with front and rear extension (rear shaft with 3mm dia. and 20mm length), with stopper (rotating angle becomes 320° and stopper strength is 0.9N·m [9kgf·cm]), special electrical travel, shaft dia. (ø6.35mm) with inch dimensions, special machining on the shaft.

LEADERS IN SENSORS & HEAVY DUTY JOYSTICKS

### ALTHERIS bv

Scheveningseweg 15  
 2517 KS DEN HAAG  
 The Netherlands

+31 (0)70 3924421

+31 (0)70 3644249

Offices in : Benelux | Germany | France | UK | Italy | USA

www.altheris.com

sales@altheris.nl

**ALTHERIS**  
 SENSORS & CONTROLS