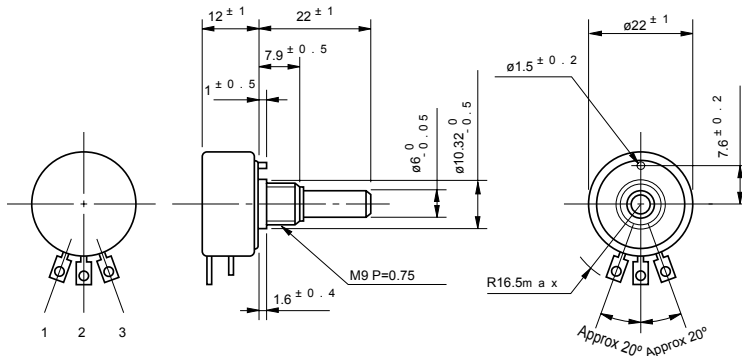




CP22E

Wirewound (Bushingmount) Low cost item

Standard dimensions



**Model CP22E
(Plastic Housing)**

- Note: 1. 1pc. Each inner teeth washer and hex nut are attached.
 2. Please process the mounting hole on the panel to be mounted with this potentiometer by the diameter of 10.32mm

General Specifications

Standard

Resistance Range: 50Ω to 10kΩ

Max. Practical

Resistance Value: 20kΩ

Total Resistance

Tolerance: Standard Class ±3%(H)
Precision Class ±1%(F)

Independent

Linearity Tolerance: Standard Class ±0.5%
Precision Class ±0.25%
(±0.35% in case of within 1kΩ)

Power Rating: 0.5W

Noise:

Within 100Ω E.N.R.

Electrical Travel:

355° ±5°

Mechanical Travel:

360° (Endless)

Insulation Resistance:

Over 1,000MΩ at 1,000 V.D.C

Dielectric Strength:

1 minute at 1,000 V.A.C.

Starting Torque:

Within 5mN·m (50gf·cm)

Resist. Temperature

Coefficient of Wire:

±20p.p.m./°C

Mass:

Approx. 20g

Standard Resistance Values | No. of Wire Turns | Resistance Wire Used

Resist. Value (Ω)	50	100	200	500	1k	2k	5k	10k	※ 20k
No. Of wire turns	3 0 0	3 7 0	4 7 0	4 5 0	5 7 0	7 4 0	1, 0 0 0	1, 2 7 0	1, 6 7 0
Resist. Wire used	Cu-Ni System				Ni-Cr System				

Note: Mark # shows value at special higher practical resistance

Special Specifications Available

Lower resistance values (10Ω, 20Ω), extra taps (available up to 1 tap), shaft with front and rear extension (rear shaft with 6mm dia. and 20mm length), multi-ganged (available up to 10 gangs), with stopper (rotating angle becomes 320° and stopper strength is 0.6N·m [6kgf·cm]), special electrical travel, shaft dia. (ø6.35mm) bushing with inch dimensions, special machining on the shaft.

LEADERS IN SENSORS & HEAVY DUTY JOYSTICKS

ALTHERIS bv

Scheveningseweg 15
 2517 KS DEN HAAG
 The Netherlands

☎ +31 (0)70 3924421

☎ +31 (0)70 3644249

Offices in : Benelux | Germany | France | UK | Italy | USA

🌐 www.altheris.com

✉ sales@altheris.nl

ALTHERIS
 SENSORS & CONTROLS