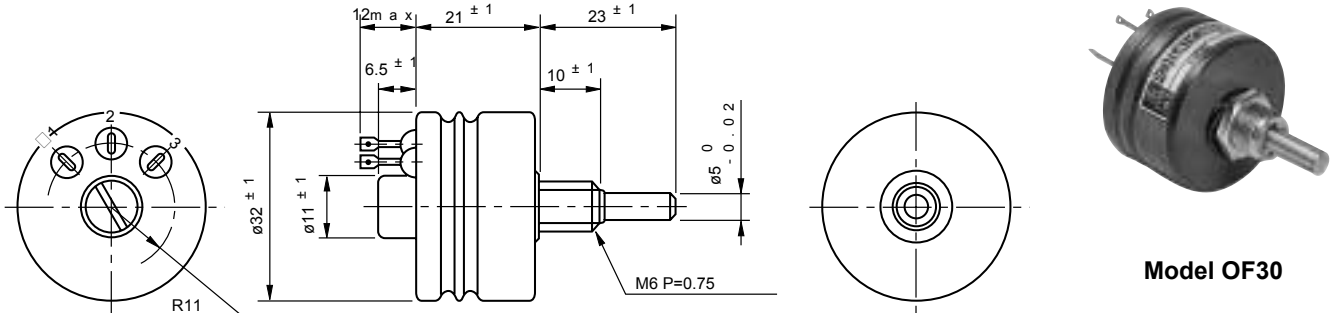




Model OF30

Wirewound (Bushingmount)

Standard dimensions



Note: 1 pc. each inner teeth washer and hex nut are attached

General Specifications

Standard Resistance Range:	500Ω to 10kΩ	Electrical Travel:	280° ±5°
Max. Practical Resistance Value:	20kΩ	Mechanical Travel:	360° (Endless)
Total Resistance Tolerance:	Standard Class ±10% (K) Precision Class ±5% (J)	Insulation Resistance:	Over 100 MΩ at 1,000 V.D.C.
Independent Linearity Tolerance:	Standard Class ±2.0% Precision Class ±0.5%	Dielectric Strength:	1 minute at 1,000 V.A.C.
Power Rating:	0.75W	Starting Torque:	Within 30mN·m (300gf·cm)
Noise:	Within 100Ω E.N.R.	Resist. Temperature Coefficient of Wire:	±20p.p.m./°C
		Mass:	Approx. 40g

Standard Resistance Values | No. Of Wire Turns | Resistance Wire Used

Resist. Value (Ω)	500	1k	2k	5k	10k	※20k
No. of wire turns	4 0 0	5 0 0	6 5 0	9 0 0	1, 1 0 0	1, 5 0 0
Resist. wire used	Ni-Cr System					

Note: Mark ※ shows value at special higher practical resistance

Special Specifications Available

Lower resistance values (50Ω to 200Ω), extra taps (available up to 1 tap), special electrical travel, shaft dia. (ø 3.175mm) · bushing with inch dimensions, special machining on the shaft, with stopper (rotating angel becomes 300° and stopper strength is 0.3N·m [3kgf·cm]).

ALTHERIS bv

Scheveningseweg 15
 2517 KS DEN HAAG
 The Netherlands

+31 (0)70 3924421

+31 (0)70 3644249

Offices in : Benelux | Germany | France | UK | Italy | USA

www.altheris.com

sales@altheris.nl

LEADERS IN SENSORS & HEAVY DUTY JOYSTICKS

ALTHERIS
 SENSORS & CONTROLS