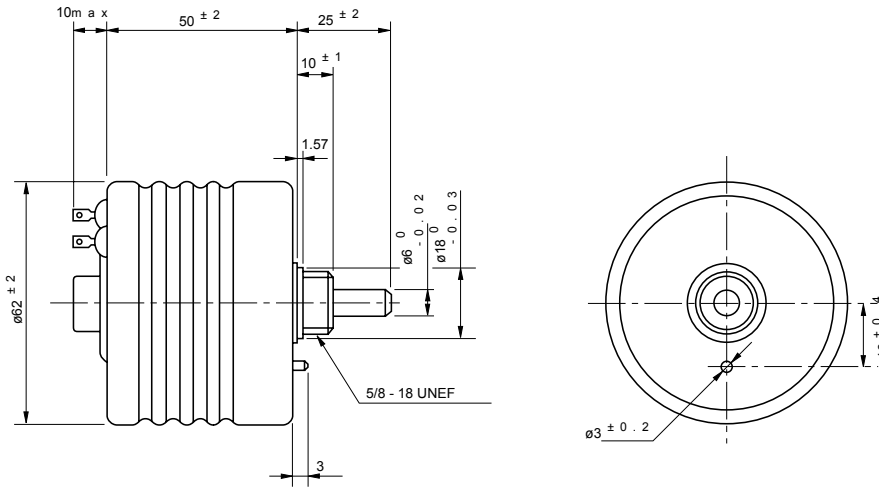




# Model OF50PB

## Wirewound (Bushingmount)

### Standard dimensions



Model OF50PB

- Note:
- 1pc. Each inner teeth washer and hex nut are attached.
  - Please process the mounting hole on the panel to be mounted with this potentiometer by the diameter of 18mm<sup>+0.05</sup><sub>0</sub>

### General Specifications

|   |  |   |                            |
|---|--|---|----------------------------|
| <b>Standard Resistance Range:</b>       | 100Ω to 20kΩ                                       | <b>Electrical Travel:</b>                       | 280° ±5°                   |
| <b>Max. Practical Resistance Value:</b> | 50kΩ   | <b>Mechanical Travel:</b>                       | 300° ±5°                   |
| <b>Total Resistance Tolerance:</b>      | Standard Class ±10% (K)<br>Precision Class ±5% (J) | <b>Insulation Resistance:</b>                   | Over 100MΩ at 1,000 V.D.C. |
| <b>Independent Linearity Tolerance:</b> | Standard Class ±1.0%<br>Precision Class ±0.5%      | <b>Dielectric Strength:</b>                     | 1 minute at 1,000 V.A.C.   |
| <b>Power Rating:</b>                    | 5.0W   | <b>Starting Torque:</b>                         | Within 30mN·m (300gf·cm)   |
| <b>Noise:</b>                           | Within 100Ω E.N.R.                                 | <b>Stopper Strength:</b>                        | Approx. 0.9N·m (9kgf·cm)   |
|   |  | <b>Resist. Temperature Coefficient of Wire:</b> | ±20p.p.m./°C               |
|   |  | <b>Mass:</b>                                    | Approx. 330g               |

### Standard Resistance Values | No. Of Wire Turns | Resistance Wire Used

| Resist. Value (Ω) | 100          | 200   | 500   | 1k    | 2k    | 5k           | 10k   | 20k      | ※ 50k    |
|-------------------|--------------|-------|-------|-------|-------|--------------|-------|----------|----------|
| No. of wire turns | 2 6 0        | 3 2 0 | 3 7 0 | 4 2 0 | 5 5 0 | 6 5 0        | 9 0 0 | 1, 0 0 0 | 1, 2 0 0 |
| Resist. wire used | Cu-Ni System |       |       |       |       | Ni-Cr System |       |          |          |

Note: Mark※ shows value at special higher practical resistance

### Standard Specifications Available

Extra taps (available up to 1 tap), multi-ganged (available up to 2 gangs), special electrical travel, shaft dia. (ø 6.35mm) · bushing with inch dimensions, special machining on the shaft, without stopper (electrical travel remains 280° ±5°, shaft with front and rear extension (rear shaft with 6mm dia. and 25mm length)).

LEADERS IN SENSORS & HEAVY DUTY JOYSTICKS

### ALTHERIS bv

Scheveningseweg 15  
 2517 KS DEN HAAG  
 The Netherlands

+31 (0)70 3924421

+31 (0)70 3644249

Offices in : Benelux | Germany | France | UK | Italy | USA

www.altheris.com

sales@altheris.nl

