

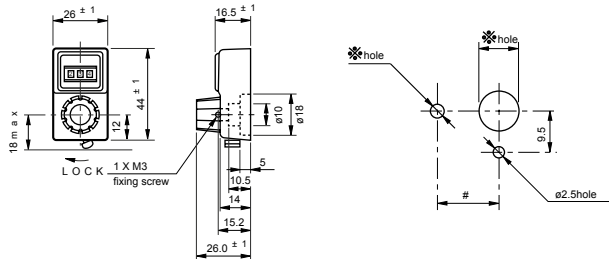


# DA10-26B

## Standard dimensions

### Model DB10-26B · DB100-26B

### Panel Arrangements



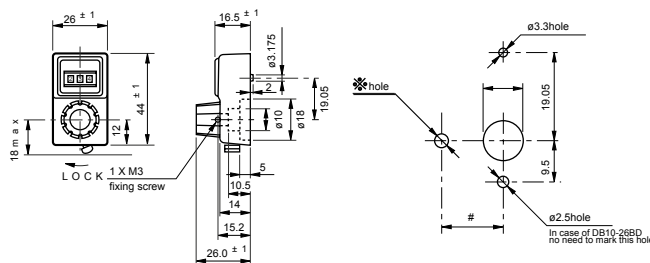
Note: 1. The dimensions of mark \* are determined by the pot. to be mounted  
 2. Dimensions of the mounting adaptor are mentioned on page 51

### Model DB10-26BA · DB100-26BA

(with an anti-rotation pin on the rear side of the case)

### Model DB10-26BD

(with an anti-rotation pin on the rear side of the case and without a flexible coupling)



Note: The dimensions of mark \* are determined by the pot. to be mounted.



**Model DB10-26B**  
(3 digits indication)



**Model DB100-26B**  
(4 digits indication)

## General Specifications

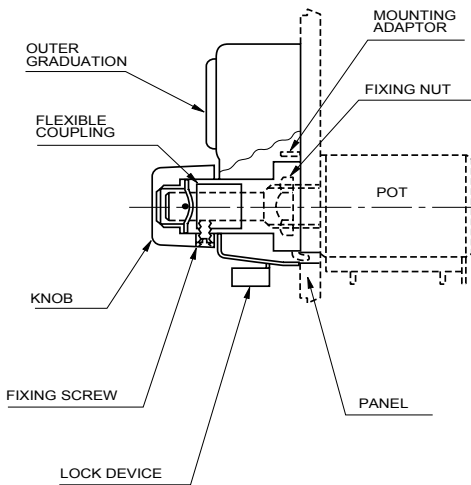
Model No	Max. Indication	Matching Shaft Dia. (mm)		Combinable Helicalohm Pot. (Matching shaft length of 25mm)	Standard Color of Case	Flexible coupling	Lock Device	Operating Temperature Range	Mass (Approx. g)		
		Standard	Special								
DB10-26B	1 0	9 9 9	6	20HP 22HP 22HHP	Ivory	YES	YES	-30°C ~ +85°C	6 0		
DB10-26BA	1 0	9 9 9			3, 3.175	46HD 20HHP				Silver	YES
DB10-26BD	1 0	9 9 9			4, 6.35	25HP				Silver	NO
DB100-26B	1 0 0	9 9 9								Ivory	YES

Note: DB10-26BD version does not attach mounting adaptor and nut, because such mounting hardware does not need when mounting this dial and the potentiometer.

## Special Specifications available

Special colors on housing and spin plate on the top of the knob (black, etc), specially marked in face plate such as with a decimal point, comma, etc.

## ■ Construction of DB Dials and How to mount DB Dials



The mounting adaptor as well as specially shaped nut only for use with Model DB series Dials and Helicalohm pot. are fixed on the panel according to the illustration given left.

The shaft of the Helicalohm pot. is turned anticlockwise to its limit and is put into the mounting hole of the dial which was already set at "000". At the same time, 3 projections of the mounting adaptor are inserted in 3 receiving holes prepared on the base plate of the dial and then all parts should be pressed on the panel firmly to eliminate any space. The shaft of the potentiometer is fixed by the hexagonal nut positioned in the knob of the dial by screwing it with an attached hexagonal wrench. With this, the mounting is completed.

**CAUTION:** When rotating DB dial with a flexible coupling mounted with multi-turn potentiometer with over 20N (20kgf.), the flexible coupling may be damaged or broken. So, please take care of this fact during its operation.

### ALTHERIS bv

Scheveningseweg 15  
2517 KS DEN HAAG  
The Netherlands

+31 (0)70 3924421

+31 (0)70 3644249

Offices in : Benelux | Germany | France | UK | Italy | USA

[www.altheris.com](http://www.altheris.com)

[sales@altheris.nl](mailto:sales@altheris.nl)

LEADERS IN SENSORS & HEAVY DUTY JOYSTICKS

**ALTHERIS**  
SENSORS & CONTROLS