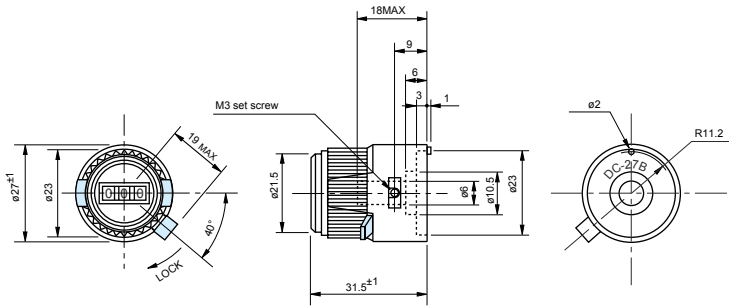




DA10-27B

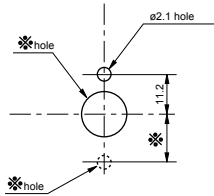
Standard dimensions

Model DC10-27B DC10-27BK



Note: One additional nut is attached as standard accessory.

Panel Arrangements



Note: The dimensions and positions of mark ✖ are determined by the pot. to be mounted

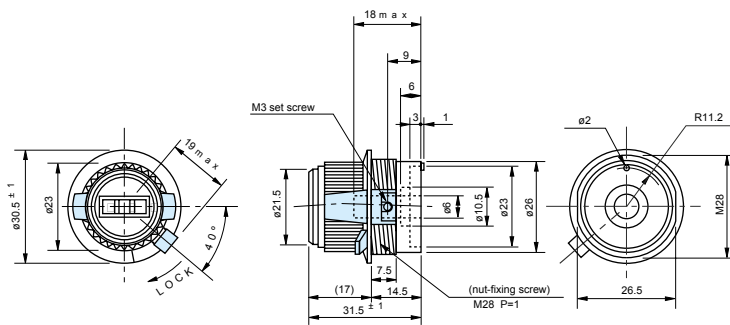


Model DC10-27B



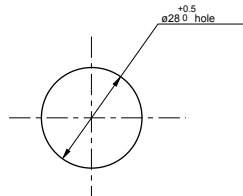
Model DC10-27BK

Model DC10-27BF DC10-27BFK



Note: Fixing nut, washer and fixing nut or fixing plate are attached as standard accessory.

Panel Arrangements



Model DC10-27BF



Model DC10-27BFK

■ General Specifications

Model No		Max. Indication (Min. readout)	Matching Shaft Dia. (mm)		Combinable Helicalohm Pot. (Matching shaft length: 18.5 20.6mm) n Number of turns	Mounting Method (See Page 56)	Operating Temperature Range	Lock Device	Mass (Approx. g)
			Standard	Special					
DC10-27B DC10-27BK	1 0	999 (1/5000)	6 6.35	3 3.175 4	22HP-n, 22HP-nN, 25HP-nD, 22HHP-n, 22HHP-nN	1	-30°C~+60°C	YES	3 0
DC10-27BF DC10-27BFK	1 0	999 (1/5000)	6 6.35	3 3.175 4	22HP-n, 22HP-nN, 22HHP-n	2	-30°C~+60°C	YES	3 0
					25HP-nD, 22HP-nN	3			

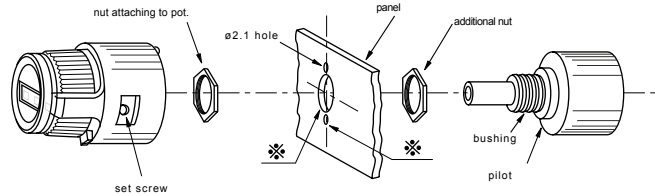
Note: When mounting the pot. not mentioned in the above table with this dial, please use the shaft length of 20mm.

■ How to mount DC series

DC series dials are mounted as per the following sketches (Mounting method 1-3): Firstly, the shaft of potentiometer is turned anti-clockwise to its limit and after the graduation of DC dial is adjusted to "000", the shaft of potentiometer is secured by the set screw positioned at the knob of the dial with the attached hexagonal wrench. With this the mounting is completed.

Mounting Method 1.

(DC10-27B
DC10-27BK)

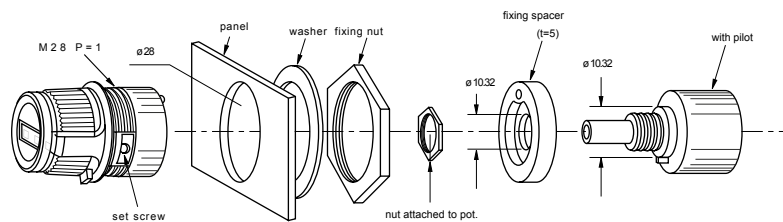


(Note 1) - The dimensions of mark * are determined by the pot. to be mounted.

(Note 2) - For our models 22HP-n, 22HP-nN, 22H (H) P-n (E), 22HHP-n and 22HHP-nN, please use with panel thickness of below 3mm. In this case, please note the hole diameter for combining potentiometer means a bushing diameter, not pilot diameter. For panel thickness of below 1.6mm, please use an additional nut.

Mounting Method 2.

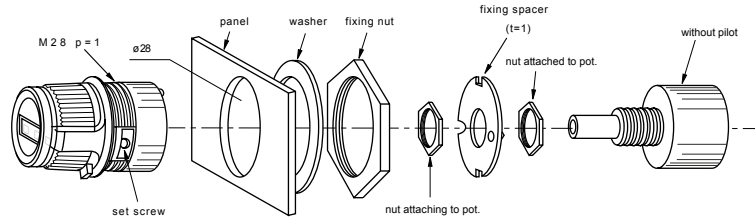
(DC10-27BF
DC10-27BFK)



(In case of combining
22HP-n, 22HP-nN,
22HHP-n, 22HHP-nN)

Mounting Method 3.

(DC10-27BF)
(DC10-27BFK)



(In case of combining 25HP-nD and other pots. (with 20mm long shaft))

(Note 3) - Dials and pots. are supplied separately.

(Note 4) - For models DC10-27BF and DC10-27BFK, we can supply potentiometer and dial combined at our side on request with extra charge.

ALTHERIS bv

Scheveningseweg 15
2517 KS DEN HAAG
The Netherlands

+31 (0)70 3924421

+31 (0)70 3644249

Offices in : Benelux | Germany | France | UK | Italy | USA

www.altheris.com

sales@altheris.nl

LEADERS IN SENSORS & HEAVY DUTY JOYSTICKS

ALTHERIS
SENSORS & CONTROLS