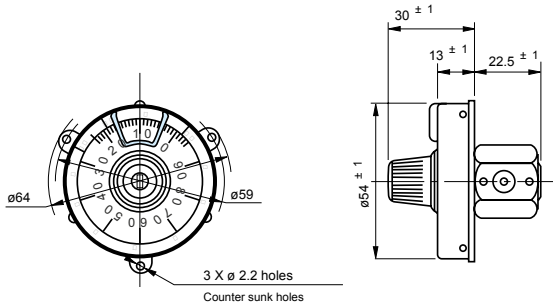




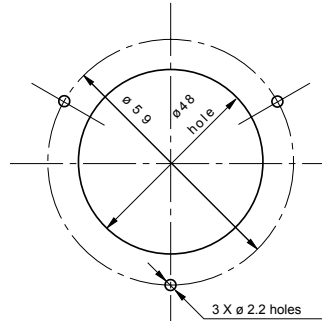
# Model MA

## Standard dimensions

### Model MAn-55



### Panel Arrangements



Model MA10-55

## General Specifications

Model No		Matching Shaft Dia. (mm)		Combinable Helicalohm Pot. (Matching shaft length of 18.5mm)	Lock Device	Operating Temperature Range	Mass (Approx. g)
		Standard	Special				
MAn-55	3, 5, 10, 15, 20	6	6.35	25HP 46HD	No	-5.5 °C ~ +105 °C	90

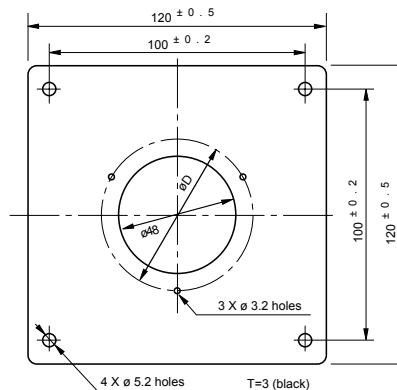
## How to mount MA series



Model MA Series counting dial employs special adaptor for being mounted on Helicalohm pot. and its use requires a considerable skill or technique. If a dial is ordered together with our Helicalohm Potentiometer, these will be combined at Altheris and will be supplied in one unit.

## Special Specifications Available

- Special graduation to your request.
- Acrylic resin cover fitted.
- Special mounting panel as shown on the right-hand drawing fitted.



LEADERS IN SENSORS & HEAVY DUTY JOYSTICKS

### ALTHERIS bv

Scheveningseweg 15  
 2517 KS DEN HAAG  
 The Netherlands

+31 (0)70 3924421

+31 (0)70 3644249

Offices in : Benelux | Germany | France | UK | Italy | USA

www.altheris.com

sales@altheris.nl

