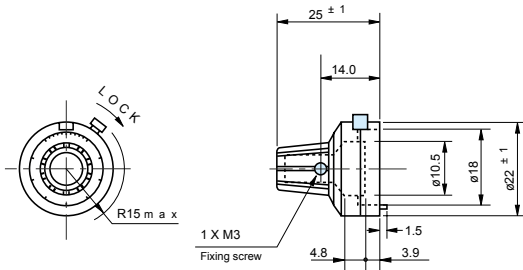




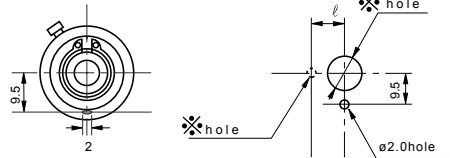
# Model MG20-22B

## Analog Readout (low cost item)

### Standard dimensions



### Panel Arrangements



Model MG20-22B

Note: The dimensions of mark※ are determined by the potentiometer to be mounted.

### General Specifications

Model No		Matching Shaft Dia. (mm)		Combinable Helicalohm Pot. (Matching shaft length of 25mm)			Lock Device	Operating Temperature Range	Mass (Approx. g)
		Standard	Special	10HP	22HP	12HHP			
MG20-22B	2 0	6	3, 3.175 4, 6.35	12HP 12HPC 20HP	25HP 46HD	20HHP 22HHP	YES	-30 °C ~ +60 °C	5

### Mechanism of Lock Device

Note: 2 kinds of lock device on MG dial are available and please select them in accordance with your application.

Model MG20-22B...locking is gradually made.

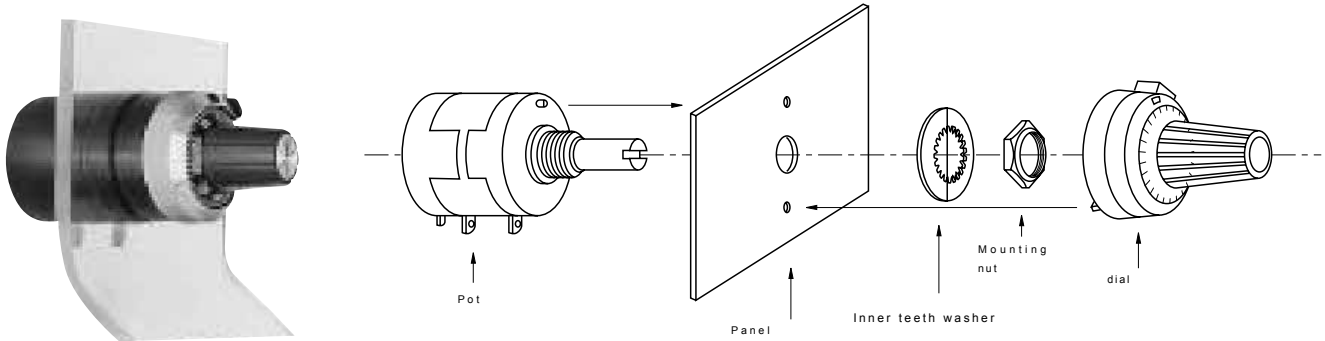
Model MG20-22BA...locking is suddenly made.

Unless otherwise specified we will supply model MG20-22B.

### Special Specifications Available

Outer case and knob in different color (black, grey, etc), 100 divisions in inner graduation (possible read out of 1/1,000 in 10-turn pot.).

## ■ How to mount MG Series



After the potentiometer is fixed to the panel using the mounting nut, the shaft of the potentiometer is turned anticlockwise to its limit and is put into the mounting hole of the dial which was already set at "0". The shaft of the potentiometer is secured by the screw positioned at the knob of the dial with the attached hexagonal wrench. With this, the mounting is completed.

Please note that before mounting, holes are to be prepared on the panel according to the panel arrangements above.

### ALTHERIS bv

Scheveningseweg 15  
2517 KS DEN HAAG  
The Netherlands

+31 (0)70 3924421

+31 (0)70 3644249

Offices in : Benelux | Germany | France | UK | Italy | USA

[www.altheris.com](http://www.altheris.com)

[sales@altheris.nl](mailto:sales@altheris.nl)

LEADERS IN SENSORS & HEAVY DUTY JOYSTICKS

**ALTHERIS**  
SENSORS & CONTROLS