



MEM-Bus

Single & Multi-turn Absolute Encoders with Fieldbus Interface

- Singleturn and Multiturn Absolute Encoders
- CANopen or Profibus DP Fieldbus
- High resolution
- Several mechanical versions available
- Strong and reliable



■ Mechanical & environmental specifications

TYPE	MEM520-Bus	MEM540-Bus	MEM620-Bus M	EM410-Bus	MEM430-Bus
	Ø.58 mm round flanged – servo coupling SIZE23	Ø.58 mm round flanged Ø 36 mm centering mask	mm63.5x63.5 square flanged SIZE25	Hollow shaft for motor coupling	Hollow shaft Fixing with elastic support
Weight	500 g ca.				
Materials: case	aluminium				
Shaft	stainless steel				
Shaft diameter/ Joint hole	6, 8, 10 mm			Hole Ø 8, 10, 12, 14, 15 mm	
Revolutions/minute	6000				
Starting torque	≤0,8Ncm				
Inertia	≤25g cm ²				
Max load	80 N axial / 100 N radial				
Shock resistance (11 ms)	50 G				
Vibration resistance (10÷2000 Hz)	100 m/sec ²				
Protection degree	IP65				
Operating temperature	-30 ÷ +70°C				
Stocking temperature	-30 ÷ +85°C				

■ Electrical & operating specifications

Operating principle	magnetic
Resolution/revolution	8192 step/rev. – 13 bit
Revolutions no. (multiturn)	65536/16 bit
Initializing time	< 1 s
Data memory	>21 years power off*
Fieldbus Interface	CANopen, Profibus DP
Supply	5 ÷ 28 Vdc Protection against polarity reversal
Consumption	2 W
Accuracy	± 1/2 LSB
Connection outlet	3 cable glands or 2 cable glands
Interference immunity	EN 61000-6-2
Emitted interference	EN 61000-6-4

* Stopped shaft

SETTABLE PARAMETERS

- Steps/revolution
- Revolutions number
- Preset
- Rotation direction

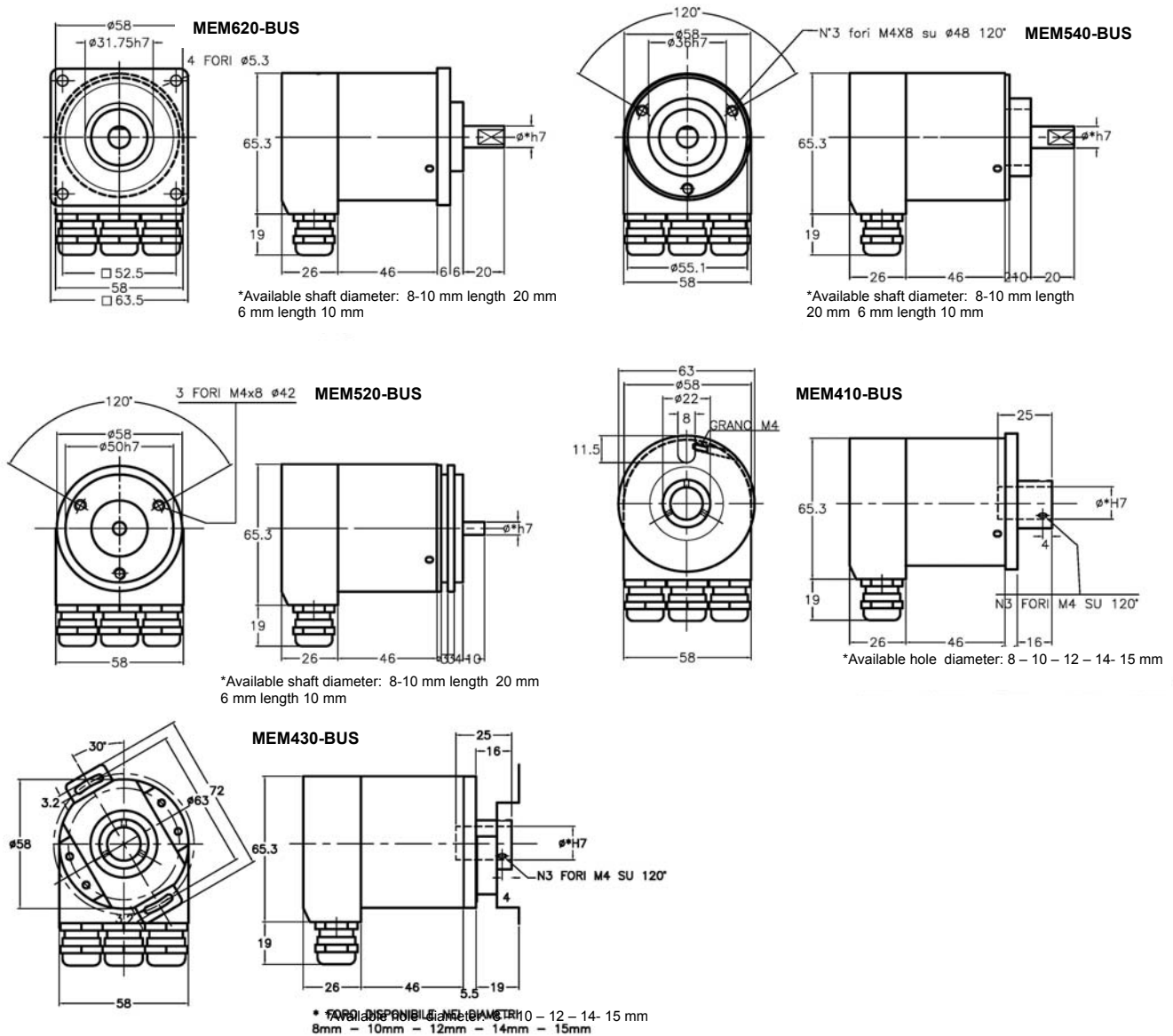
DIAGNOSTIC FUNCTIONS

- Position or parameter error
- Battery alarm

STATE INDICATORS

- 3 signalling LEDs for
- Supply
- Line
- Error (CANopen)

■ Dimensions



■ Ordering information

MEM520	CAN	M	10	3P
<p>CONNECTIONS TYPE 3P = 3 cable glands 2P = 2 cable glands</p> <p>SHAFT DIAMETER/JOINT HOLE 6 - 8 - 10 - 12 - 14 - 15 mm</p> <p>REVOLUTIONS NO. M = Multiturn S = Singleturn</p> <p>FIELDBUS INTERFACE CAN= CANopen PDP = Profibus DP</p> <p>TYPE MEM520-Bus = 58 mm diameter round flange MEM540-Bus = 58 mm diameter round flange MEM620-Bus = 63.5x63.5 mm square flange MEM410-Bus = Hollow shaft for motor coupling MEM430-Bus =Hollow shaft with elastic support</p>				

LEADERS IN SENSORS & HEAVY DUTY JOYSTICKS

ALTHERIS bv

Scheveningseweg 15
 2517 KS DEN HAAG
 The Netherlands

+31 (0)70 3924421

+31 (0)70 3644249

Offices in : Benelux | Germany | France | UK | Italy | USA

www.altheris.com

sales@altheris.nl

ALTHERIS
 SENSORS & CONTROLS